

# RETRO-Fusion™ 1000

1000W Incandescent Replacement LED Engine  
120V • 230V • 277V • 240VAC • CSA

## Energy efficient LED Light Engine

Designed to retrofit directly into existing fixtures.

The RETRO-Fusion is a CSA listed, Energy Star 2.0 retrofit kit that rapidly transforms existing inefficient incandescent fixtures into energy efficient LED fixtures. Our patented technology allows the fixture to smoothly dim from 0-100% utilizing existing dimming technology. Retrofit kits are available with a variety of options for both recessed and pendant style fixtures. Installation is as easy as changing a light bulb. Our LED technology creates even fields and delivers consistent color. The RETRO-Fusion 1000 delivers more light than most 1000 watt incandescent bulbs it replaces with only a 90 watt load.

**10 Year  
LED Array  
Warranty**



### What the RETRO IS

- More cost effective than fixture replacement
- Large lumen output for this section of the market
- Listed for screw in replacement
- Energy Star certified 2.0
- Dims on existing dimming systems with no additional installation of control system
- 0-100% dimming without flicker, pulse, or stepping
- 80+ High CRI

### Electrical Data

- 90 Watts
- Power Factor (PF) .9955
- Lumens: 10133 @ 2700K
- Lumens per watt: 112.3
- LM 70: >50,000 Hours
- CRI@2700K: 81.11,R9+1.8
- 1 lb 15.1 oz w/Reflector

### Applications

- 15 feet to 100 feet high ceilings
- Where dimming is a key concern
- Where there is no desire or budget to replace existing fixtures
- Where access is limited
- Where Energy Star is required
- Where a custom solution is required
- Where the ceiling cannot be disturbed

### Typical Installations

- Auditoriums
- Houses of worship
- Arenas
- Lobbies
- Museums
- Educational facilities
- Convention centers

### Base Types

E26- Edison

E11- Mini Candelabra

### CCT Lumen Output

2700K: 10,133 Lumens

3000K: 10,611 Lumens

3500K: 10,876 Lumens

4000K: 10,961 Lumens

5000K: 11,127 Lumens

### Fixture Lenses

Tall 15 Degrees

Tall 23 Degrees

Tall 46 Degrees

Short 26 Degree

Short 40 Degree

Short 59 Degrees

Short 70 Degrees

None 120 Degrees

### Color Temp

2700K -

3000K - Standard

3500K -

4000K -

5000K -

### Order Guide

[ ] - [ ] - [ ] - [ ] - [ ] - [ ] - [ ]

Fixture Type  
R1000 - F

Base Type

|            |            |
|------------|------------|
| <b>E11</b> | <b>E26</b> |
| 1 3/4"     | 1"         |
| 2 3/4"     | 1 1/2"     |
| 4"         | 2 1/2"     |

E39 - Mogul \*

BD15A \*

Specific Height

Color Temp

2700K

3000K

3500K

4000K

5000K

CRI\*

80, 90, 97

80, 90, 97

80, 90

80, 90, 97

80, 90

\*If blank 80 is issued

Optics

Tall 15

Tall 23

Tall 46

Short 26

Short 40

Short 59

Short 70

NONE- 120 Degrees

Accessories

Diffuser

E26 Extender 1"

E26 Extender 2"

Small Slope Adapter

Large Slope Adapter

Warranty

10 Year LED Array

3 Year Standard

+1

+2

+3

+4

+5

+6

+7

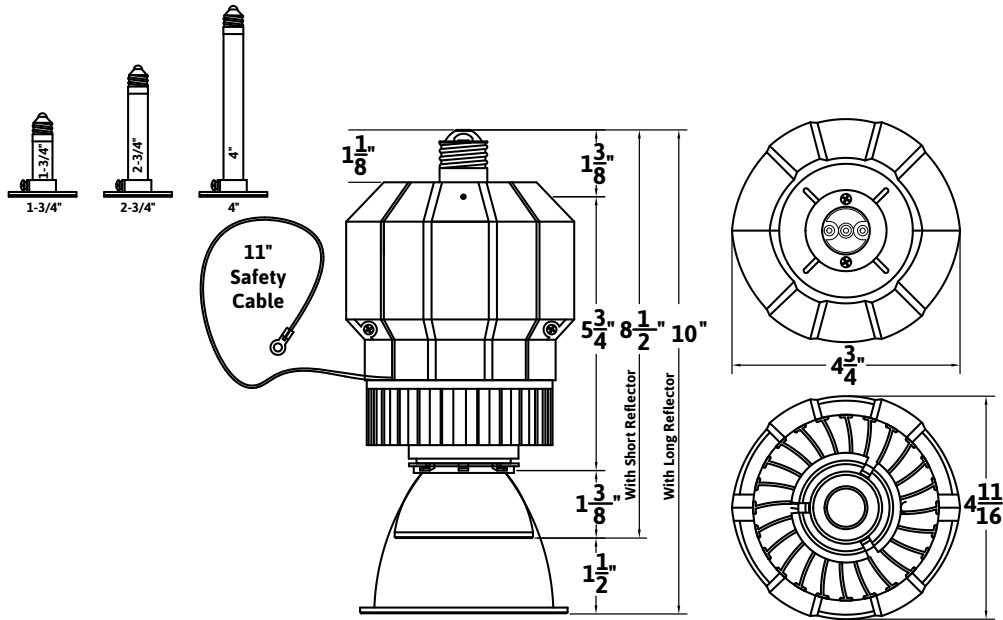
\*E39 and BD15A require an E26 base with adaptors used to make this unit compatible with these base types.

\* Chips with a CRI greater than 80 are an additional 6 weeks beyond standard delivery

# RETRO-Fusion™ 1000

1000W Incandescent Replacement LED Engine  
120V • 230V • 277V • 240VAC • CSA

## Fixture Drawing



Weight: 1lbs 15.1oz w/Reflector

## Photometrics (R1000) 3,000K

Multiplication Factor for Color Temperature

- to convert to 2,700 Kelvin - fc X .9488
- to convert to 3,500 Kelvin - fc X 1.0196
- to convert to 4,000 Kelvin - fc X 1.0439
- to convert to 5,000 Kelvin - fc X 1.0617

To Solve Footcandles  
Over A Distance

To Solve Area Over A  
Distance

Peak Output ÷ (Distance X Distance)

Distance X Mult.Factor

| Mult. Factor<br>0.4617 | 26°<br>Diameter | Peak Output<br>14,514fc | Mult. Factor<br>0.7279 | 40°<br>Diameter | Peak Output<br>11,431fc | Mult. Factor<br>1.1315 | 59°<br>Diameter | Peak Output<br>11,309c  | Mult. Factor<br>1.4004 | 70°<br>Diameter  | Peak Output<br>4,672c  |
|------------------------|-----------------|-------------------------|------------------------|-----------------|-------------------------|------------------------|-----------------|-------------------------|------------------------|------------------|------------------------|
| Distance               |                 | Foot Candles            | Distance               |                 | Foot Candles            | Distance               |                 | Foot Candles            | Distance               |                  | Foot Candles           |
| 15'                    | 7'              | 82                      | 15'                    | 20'             | 49                      | 15'                    | 24'             | 48                      | 15'                    | 24'              | 20                     |
| 20'                    | 9'              | 47                      | 20'                    | 28'             | 27                      | 20'                    | 30'             | 27                      | 20'                    | 32'              | 12                     |
| 25'                    | 11' 6"          | 30                      | 25'                    | 36'             | 18                      | 25'                    | 39'             | 17                      | 25'                    | 38'              | 8                      |
| 30'                    | 14'             | 21                      | 30'                    | 42'             | 13                      | 30'                    | 45'             | 12                      | 30'                    | 46'              | 5                      |
| 35'                    | 16'             | 17                      | 35'                    | 44'             | 10                      | 35'                    | 50'             | 9                       |                        |                  |                        |
| 40'                    | 18'             | 13                      | 40'                    | 48'             | 8                       | 40'                    | 54'             | 7                       |                        |                  |                        |
| Mult. Factor<br>0.2633 | 15°<br>Diameter | Peak Output<br>41,247fc | Mult. Factor<br>0.4069 | 23°<br>Diameter | Peak Output<br>27,415fc | Mult. Factor<br>.8489  | 46°<br>Diameter | Peak Output<br>10,044fc | Mult. Factor<br>3.4641 | 120°<br>Diameter | Peak Output<br>2,941fc |
| Distance               |                 | Foot Candles            | Distance               |                 | Foot Candles            | Distance               |                 | Foot Candles            | Distance               |                  | Foot Candles           |
| 15'                    | 2'              | 183                     | 15'                    | 8'              | 127                     | 15'                    | 15'             | 43                      | 15'                    | 52'              | 13                     |
| 20'                    | 2' 6"           | 101                     | 20'                    | 10'             | 68                      | 20'                    | 20'             | 24                      | 20'                    | 70'              | 7                      |
| 25'                    | 3' 6"           | 65                      | 25'                    | 11' 6"          | 43                      | 25'                    | 26'             | 15                      |                        |                  |                        |
| 30'                    | 4'              | 46                      | 30'                    | 16'             | 30                      | 30'                    | 32'             | 11                      |                        |                  |                        |
| 35'                    | 4' 9"           | 34                      | 35'                    | 20'             | 22                      | 35'                    | 38'             | 9                       |                        |                  |                        |
| 40'                    | 15' 5"          | 27                      | 40'                    | 25'             | 18                      | 40'                    | 44'             | 7                       | 25'                    | 87'              | 4                      |

Contact your local representative or dealer for IES files.

