

# RETRO-Fusion™ 1000

1000W Incandescent Replacement LED Engine  
120V • 277V • 240VAC • CSA

## Energy efficient LED Light Engine

Designed to retrofit directly into existing fixtures.

The RETRO-Fusion is a CSA listed, Energy Star 2.0 retrofit kit that rapidly transforms existing inefficient incandescent fixtures into energy efficient LED fixtures. Our patented technology allows the fixture to smoothly dim from 0-100% utilizing existing dimming technology. Retrofit kits are available with a variety of options for both recessed and pendant style fixtures. Installation is as easy as changing a light bulb. Our LED technology creates even fields and delivers consistent color. The RETRO-Fusion 1000 delivers more light than most 1000 watt incandescent bulbs it replaces with only a 90 watt load.

**10 Year  
LED Array  
Warranty**



### What the RETRO IS

- More cost effective than fixture replacement
- Large lumen output for this section of the market
- Listed for screw in replacement
- Energy Star certified 2.0
- Dims on existing dimming systems with no additional installation of control system
- 0-100% dimming without flicker, pulse, or stepping
- 80+ High CRI

### Electrical Data

- 90 Watts
- Power Factor (PF) .9955
- Lumens: 10133 @ 2700K
- Lumens per watt: 112.3
- LM 70: >50,000 Hours
- CRI@2700K: 81.11,R9+1.8
- 1 lb 15.1 oz w/Reflector

### Applications

- 15 feet to 100 feet high ceilings
- Where dimming is a key concern
- Where there is no desire or budget to replace existing fixtures
- Where access is limited
- Where Energy Star is required
- Where a custom solution is required
- Where the ceiling cannot be disturbed

### Typical Installations

- Auditoriums
- Houses of worship
- Arenas
- Lobbies
- Museums
- Educational facilities
- Convention centers

### Base Types

E26- Edison

E11- Mini Candelabra

### CCT Lumen Output

2700K: 10,133 Lumens

3000K: 10,611 Lumens

3500K: 10,876 Lumens

4000K: 10,961 Lumens

5000K: 11,127 Lumens

### Fixture Lenses

Tall 15 Degrees

Tall 23 Degrees

Tall 46 Degrees

Short 26 Degree

Short 40 Degree

Short 59 Degrees

Short 70 Degrees

None 120 Degrees

### Color Temp

2700K -

3000K - Standard

3500K -

4000K -

5000K -

### Order Guide

[ ] - [ ] - [ ] - [ ] - [ ] - [ ] - [ ] - [ ]

Fixture Type	Base Type	Color Temp	CRI*	Optics	Accessories	Housings	Warranty
R1000 - F	<b>E11</b> 1 3/4" 2 3/4" 4"	2700K 3000K 3500K 4000K 5000K	80, 90, 97 80, 90, 97 80, 90 80, 90, 97 80, 90	Tall 15 Tall 23 Tall 46 Short 26 Short 40 Short 59 Short 70 NONE- 120 Degrees	Diffuser E26 Extender 1" E26 Extender 2" Small Slope Adapter Large Slope Adapter	Pendant Large Pendant Small Recessed Can	10 Year LED Array 3 Year Standard +1 +2 +3 +4 +5 +6 +7
	<b>E26</b> 1" 1 1/2" 2 1/2"						
	E39 - Mogul * BD15A * Specific Height		*If blank 80 is issued				

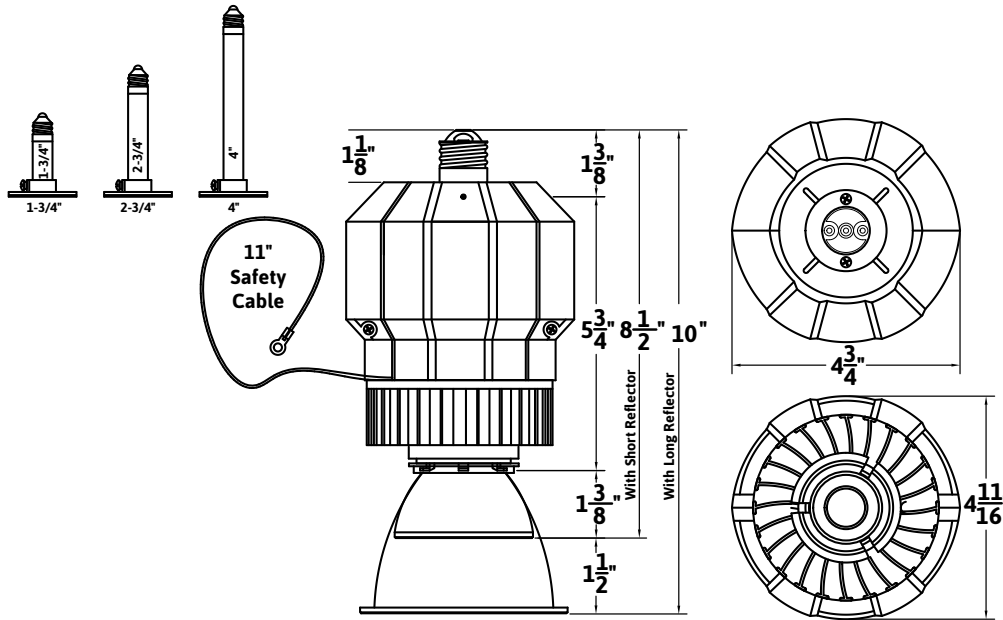
\*E39 and BD15A require an E26 base with adaptors used to make this unit compatible with these base types.

\* Chips with a CRI greater than 80 are an additional 6 weeks beyond standard delivery

# RETRO-Fusion™ 1000

1000W Incandescent Replacement LED Engine  
120V • 277V • 240VAC • CSA

## Fixture Drawing



Weight: 1lbs 15.1oz w/Reflector

## Photometrics (R1000) 3,000K

Multiplication Factor for Color Temperature

- to convert to 2,700 Kelvin - fc X .9488
- to convert to 3,500 Kelvin - fc X 1.0196
- to convert to 4,000 Kelvin - fc X 1.0439
- to convert to 5,000 Kelvin - fc X 1.0617

To Solve Footcandles  
Over A Distance

To Solve Area Over A  
Distance

Peak Output ÷ (Distance X Distance)

Distance X Mult.Factor

Mult. Factor 0.4617	26° Diameter	Peak Output 14,514fc	Mult. Factor 0.7279	40° Diameter	Peak Output 11,431fc	Mult. Factor 1.1315	59° Diameter	Peak Output 11,309c	Mult. Factor 1.4004	70° Diameter	Peak Output 4,672c
Distance		Foot Candles	Distance		Foot Candles	Distance		Foot Candles	Distance		Foot Candles
15'	7'	82	15'	20'	49	15'	24'	48	15'	24'	20
20'	9'	47	20'	28'	27	20'	30'	27	20'	32'	12
25'	11' 6"	30	25'	36'	18	25'	39'	17	25'	38'	8
30'	14'	21	30'	42'	13	30'	45'	12	30'	46'	5
35'	16'	17	35'	44'	10	35'	50'	9			
40'	18'	13	40'	48'	8	40'	54'	7			
Mult. Factor 0.2633	15° Diameter	Peak Output 41,247fc	Mult. Factor 0.4069	23° Diameter	Peak Output 27,415fc	Mult. Factor .8489	46° Diameter	Peak Output 10,044fc	Mult. Factor 3.4641	120° Diameter	Peak Output 2,941fc
Distance		Foot Candles	Distance		Foot Candles	Distance		Foot Candles	Distance		Foot Candles
15'	2'	183	15'	8'	127	15'	15'	43	15'	52'	13
20'	2' 6"	101	20'	10'	68	20'	20'	24	20'	70'	7
25'	3' 6"	65	25'	11' 6"	43	25'	26'	15			
30'	4'	46	30'	16'	30	30'	32'	11			
35'	4' 9"	34	35'	20'	22	35'	38'	9			
40'	15' 5"	27	40'	25'	18	40'	44'	7	25'	87'	4

Contact your local representative or dealer for IES files.

