

RETRO-Fusion™ 300

300W Incandescent Replacement LED Engine
120V • CSA

Energy efficient LED Light Engine

Designed to retrofit directly into existing fixtures.

The RETRO-Fusion is a CSA listed, Energy Star 2.0 retrofit kit that rapidly transforms existing inefficient incandescent fixtures into energy efficient LED fixtures. Our patented technology allows the fixture to smoothly dim from 0-100% utilizing existing dimming technology. Retrofit kits are available with a variety of options for both recessed and pendant style fixtures. Installation is as easy as changing a light bulb. Our LED technology creates even fields and delivers consistent color. The RETRO-Fusion 300 delivers more light than most 300 watt incandescent bulbs it replaces with only a 30 watt load.



**10 Year
LED Array
Warranty**

What the RETRO IS

- More cost effective than fixture replacement
- Large lumen output for this section of the market
- Listed for screw in replacement
- Energy Star certified 2.0
- Dims on existing dimming systems with no additional installation of control system
- 0-100% dimming without flicker, pulse, or stepping
- 80+ High CRI

Electrical Data

- 30 Watts (30.61)
- Lumens 3237 @ 2700K
- Power Factor (PF) .9936
- Lumens per watt: 105.74
- LM 70: >50,000 Hours
- CRI@2700K: 81.73,R9+2.6
- 1 lb 11.7 oz w/Reflector

Applications

- 9 feet to 40 feet high ceilings
- Where dimming is a key concern
- Where there is no desire or budget to replace existing fixtures
- Where access is limited
- Where Energy Star is required
- Where a custom solution is required
- Where the ceiling cannot be disturbed

Typical Installations

- Auditoriums
- Houses of worship
- Arenas
- Lobbies
- Museums
- Educational facilities
- Convention centers

Base Types

E26- Edison

E11- Mini Candelabra

CCT Lumen Output

2700K: 3237 Lumens

3000K: 3416 Lumens

3500K: 3481 Lumens

4000K: 3563 Lumens

5000K: 3624 Lumens

Fixture Lenses

Tall 11 Degrees

Tall 20 Degrees

Tall 47 Degrees

Short 15 Degree

Short 28 Degree

Short 56 Degrees

Short 74 Degrees

None 120 Degrees

Color Temp

2700K -

3000K - Standard

3500K -

4000K -

5000K -

Order Guide

R300

Base Type

EB- Edison (E26)

MC- Mini Candelabra (E11)

BW- Bare Wire

Length of Stem

Lift Plate (1/2")

E11

1 3/4"

2 3/4"

4"

Custom Bare Wire Include Length

E26

1"

1 1/2"

2 1/2"

Color Temp

2700K

3000K

3500K

4000K

5000K

CRI*

80 is standard

80, 90, 97

80, 90, 97

80, 90

80, 90, 97

80, 90

Optics

Tall 11

Tall 20

Tall 47

Short 15

Short 28

Short 56

Short 74

NONE- 120 Degrees

Accessories

PAR46 Ring

PAR56 Ring

PAR64 Ring

Diffuser

(E39) Mogul Adaptor for E26

BA15D

E26 Extender

Adjustable Par Ring (56)(64)

Custom - Include .dwg or .pdf

Warranty

10 Year LED Array

3 Year Standard

+1

+2

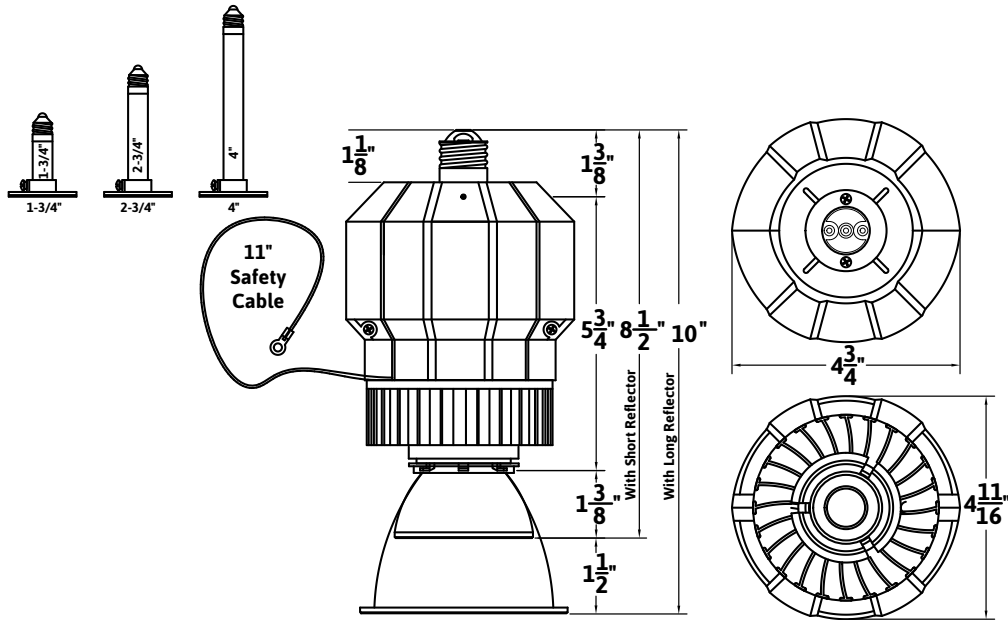
+3

* Chips with a CRI greater than 80 are an additional 6 weeks beyond standard delivery

RETRO-Fusion™ 300

300W Incandescent Replacement LED Engine
120V • CSA

Fixture Drawing



Weight: 1lb 11.7oz w/Reflector

Photometrics (R300) 3,000K

Multiplication Factor for Color Temperature

- to convert to 2,700 Kelvin - fc X .9488
- to convert to 3,500 Kelvin - fc X 1.0196
- to convert to 4,000 Kelvin - fc X 1.0439
- to convert to 5,000 Kelvin - fc X 1.0617

To Solve Footcandles
Over A Distance

To Solve Area Over A
Distance

Peak Output
(Distance X Distance)

Distance X Mult.Factor

Mult. Factor Distance	15° Diameter	Peak Output Foot Candles	Mult. Factor Distance	28° Diameter	Peak Output Foot Candles	Mult. Factor Distance	56° Diameter	Peak Output Foot Candles	Mult. Factor Distance	74° Diameter	Peak Output Foot Candles
8'	2'	360	8'	4'	141	8'	9'	61	8'	11'	41
10'	3'	222	10'	5'	85	10'	11'	37	10'	14'	25
20'	5'	49	20'	10'	18	20'	21'	8	20'	28'	5
30'	8'	21	30'	15'	8	30'	32'	4	30'	42'	2
40'	11'	11	40'	20'	5	40'	42'	1	40'	56'	1
Mult. Factor Distance	11° Diameter	Peak Output Foot Candles	Mult. Factor Distance	20° Diameter	Peak Output Foot Candles	Mult. Factor Distance	47° Diameter	Peak Output Foot Candles	Mult. Factor Distance	120° Diameter	Peak Output Foot Candles
8'	1.5'	405	8'	3'	347	8'	7'	92	8'	28'	24
10'	2'	259	10'	4'	210	10'	9'	57	9'	31'	19
20'	4'	65	20'	7'	44	20'	17'	12	10'	35'	15
30'	6'	29	30'	11'	18	30'	25'	5	12'	42'	10
40'	8'	16	40'	14'	10	40'	34'	3	15'	52'	6
									20'	69'	3

Contact your local representative or dealer for IES files.

