

# RETRO-Fusion™ 700

700W Incandescent Replacement LED Engine  
120V • 277V • 240VAC • CSA

## Energy efficient LED Light Engine

Designed to retrofit directly into existing fixtures.

The RETRO-Fusion is a CSA listed, Energy Star 2.0 retrofit kit that rapidly transforms existing inefficient incandescent fixtures into energy efficient LED fixtures. Our patented technology allows the fixture to smoothly dim from 0-100% utilizing existing dimming technology. Retrofit kits are available with a variety of options for both recessed and pendant style fixtures. Installation is as easy as changing a light bulb. Our LED technology creates even fields and delivers consistent color. The RETRO-Fusion 700 delivers more light than most 700 watt incandescent bulbs it replaces with only a 72 watt load.

**10 Year  
LED Array  
Warranty**



### What the RETRO IS

- More cost effective than fixture replacement
- Large lumen output for this section of the market
- Listed for screw in replacement
- Energy Star certified 2.0
- Dims on existing dimming systems with no additional installation of control system
- 0-100% dimming without flicker, pulse, or stepping
- 80+ High CRI

### Electrical Data

- 72 Watts (72.3)
- Power Factor (PF) .9955
- Lumens: 8107 @ 2700K
- Lumens per watt: 112.3
- LM 70: >50,000 Hours
- CRI@2700K: 81.11,R9+1.8
- 1 lb 15.1 oz w/Reflector

### Applications

- 10 feet to 60 feet high ceilings
- Where dimming is a key concern
- Where there is no desire or budget to replace existing fixtures
- Where access is limited
- Where Energy Star is required
- Where a custom solution is required
- Where the ceiling cannot be disturbed

### Typical Installations

- Auditoriums
- Houses of worship
- Arenas
- Lobbies
- Museums
- Educational facilities
- Convention centers

### Base Types

E26- Edison

E11- Mini Candelabra

### CCT Lumen Output

2700K: 8107 Lumens

3000K: 8489 Lumens

3500K: 8669 Lumens

4000K: 8769 Lumens

5000K: 8902 Lumens

### Fixture Lenses

Tall 15 Degrees

Tall 23 Degrees

Tall 46 Degrees

Short 26 Degree

Short 40 Degree

Short 59 Degrees

Short 70 Degrees

None 120 Degrees

### Color Temp

2700K -

3000K - Standard

3500K -

4000K -

5000K -

### Order Guide

R700

#### Base Type

EB- Edison (E26)

MC- Mini Candelabra (E11)

BW- Bare Wire

#### Length of Stem

Lift Plate (1/2")

| E11    | E26    |
|--------|--------|
| 1 3/4" | 1"     |
| 2 3/4" | 1 1/2" |
| 4"     | 2 1/2" |

Custom Bare Wire Include Length

#### Color Temp

2700K

3000K

3500K

4000K

5000K

#### CRI\*

80 is standard

80, 90, 97

80, 90, 97

80, 90

80, 90, 97

80, 90

#### Optics

Tall 15

Tall 23

Tall 46

Short 26

Short 40

Short 59

Short 70

NONE- 120 Degrees

#### Accessories

PAR46 Ring

PAR56 Ring

PAR64 Ring

Diffuser

(E39) Mogul Adaptor for E26

BA15D

E26 Extender

Adjustable Par Ring (56)(64)

Custom - Include .dwg or .pdf

#### Warranty

10 Year LED Array

3 Year Standard

+1

+2

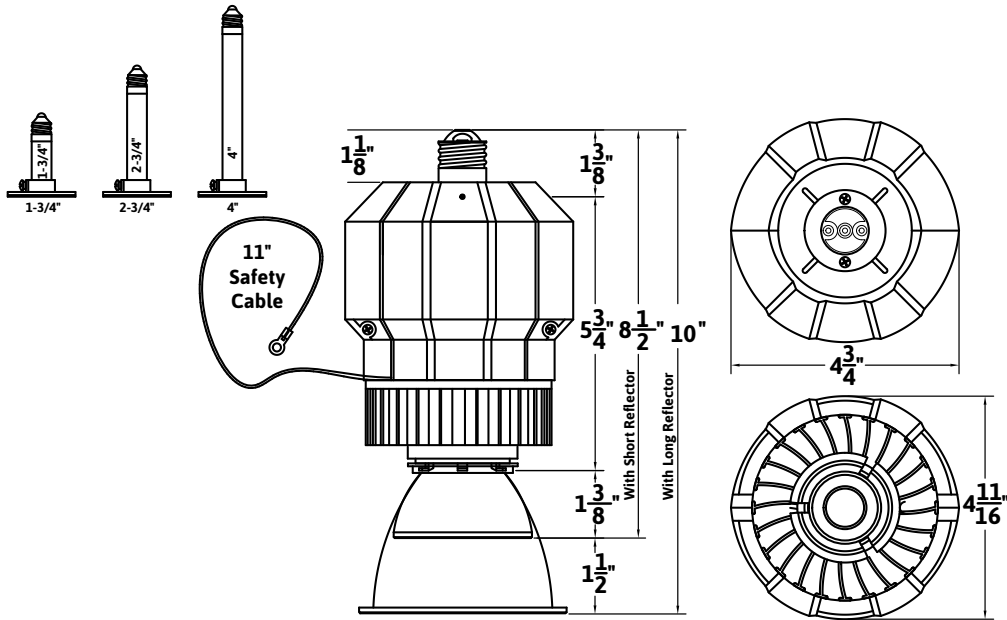
+3

\* Chips with a CRI greater than 80 are an additional 6 weeks beyond standard delivery

# RETRO-Fusion™ 700

700W Incandescent Replacement LED Engine  
120V • 277V • 240VAC • CSA

## Fixture Drawing



Weight: 1lbs 15.1oz w/Reflector

## Photometrics (R700) 3,000K

Multiplication Factor for Color Temperature

- to convert to 2,700 Kelvin - fc X .9488
- to convert to 3,500 Kelvin - fc X 1.0196
- to convert to 4,000 Kelvin - fc X 1.0439
- to convert to 5,000 Kelvin - fc X 1.0617

To Solve Footcandles  
Over A Distance

To Solve Area Over A  
Distance

Peak Output  
(Distance X Distance)

Distance X Mult.Factor

| Mult. Factor<br>0.4617 | 26°<br>Diameter | Peak Output<br>20,738fc | Mult. Factor<br>0.7279 | 40°<br>Diameter | Peak Output<br>12,936fc | Mult. Factor<br>1.1315 | 59°<br>Diameter | Peak Output<br>8,341c  | Mult. Factor<br>1.4004 | 70°<br>Diameter  | Peak Output<br>4,489c  |
|------------------------|-----------------|-------------------------|------------------------|-----------------|-------------------------|------------------------|-----------------|------------------------|------------------------|------------------|------------------------|
| 8'                     | 4'              | 331                     | 8'                     | 6'              | 204                     | 8'                     | 9'              | 130                    | 8'                     | 11'              | 73                     |
| 10'                    | 5'              | 216                     | 10'                    | 7'              | 134                     | 10'                    | 11'             | 85                     | 10'                    | 14'              | 48                     |
| 20'                    | 9'              | 51                      | 20'                    | 15'             | 32                      | 20'                    | 23'             | 21                     | 20'                    | 28'              | 11                     |
| 30'                    | 14'             | 22                      | 30'                    | 22'             | 14                      | 30'                    | 34'             | 9                      | 30'                    | 42'              | 5                      |
| 40'                    | 18'             | 12                      | 40'                    | 29'             | 7                       | 40'                    | 45'             | 5                      | 40'                    | 56'              | 2                      |
| Mult. Factor<br>0.2633 | 15°<br>Diameter | Peak Output<br>37,197fc | Mult. Factor<br>0.4069 | 23°<br>Diameter | Peak Output<br>24,838fc | Mult. Factor<br>.8489  | 46°<br>Diameter | Peak Output<br>8,872fc | Mult. Factor<br>3.4641 | 120°<br>Diameter | Peak Output<br>2,962fc |
| 8'                     | 2'              | 600                     | 8'                     | 3'              | 400                     | 8'                     | 7'              | 142                    | 8'                     | 28'              | 46                     |
| 10'                    | 3'              | 310                     | 10'                    | 4'              | 262                     | 10'                    | 8'              | 100                    | 9'                     | 31'              | 38                     |
| 20'                    | 5'              | 90                      | 20'                    | 8'              | 61                      | 20'                    | 17'             | 21                     | 10'                    | 35'              | 30                     |
| 30'                    | 8'              | 39                      | 30'                    | 12'             | 26                      | 30'                    | 25'             | 10                     | 12'                    | 42'              | 21                     |
| 40'                    | 11'             | 22                      | 40'                    | 16'             | 14                      | 40'                    | 34'             | 5                      | 15'                    | 52'              | 13                     |
|                        |                 |                         |                        |                 |                         |                        |                 |                        | 20'                    | 69'              | 7                      |

Contact your local representative or dealer for IES files.

