

RETRO-Classic™ 150

150W Incandescent Replacement LED Engine
120V • CSA

Energy efficient LED Light Engine

Designed to retrofit directly into existing fixtures.

The RETRO-Classic is a CSA listed, Energy Star 2.0 retrofit kit that rapidly transforms existing inefficient incandescent fixtures into energy efficient LED fixtures. Our patented technology allows the fixture to smoothly dim from 0-100% utilizing existing dimming technology. Retrofit kits are available with a variety of options for both recessed and pendant style fixtures. Installation is as easy as changing a light bulb. Our LED technology creates even fields and delivers consistent color. The RETRO-Classic 150 delivers more light than most 150 watt incandescent bulbs it replaces with only a 17 watt load.

**10 Year
LED Array
Warranty**



What the RETRO IS

- More cost effective than fixture replacement
- Large lumen output for this section of the market
- Listed for screw in replacement
- Energy Star certified 2.0
- Dims on existing dimming systems with no additional installation of control system
- 0-100% dimming without flicker, pulse, or stepping
- 80+ High CRI

Electrical Data

- 17 Watts (17.5)
- Lumens 2103 @ 2700K
- Power Factor (PF) .9886
- Lumens per Watt: 120.17
- LM 70: >50,000 Hours
- CRI@2700K: 81.83,R9+3
- 1 lbs 8.3-9.4 oz w/Reflector

Applications

- 9 feet to 20 feet high ceilings
- Where dimming is a key concern
- Where there is no desire or budget to replace existing fixtures
- Where access is limited
- Where Energy Star is required
- Where a custom solution is required
- Where the ceiling cannot be disturbed

Typical Installations

- Auditoriums
- Houses of worship
- Arenas
- Lobbies
- Museums
- Educational facilities
- Convention centers

Base Types

| |
|--|
| E26- Edison |
| E11- Mini Candelabra (Unavailable for the Passive 700 Series) |
| Par Ring/Bare Wire |
| Bi Pin |
| Custom Options |

CCT Lumen Output

| |
|--------------------|
| 2700K: 2103 Lumens |
| 3000K: 2217 Lumens |
| 3500K: 2261 Lumens |
| 4000K: 2314 Lumens |
| 5000K: 2354 Lumens |

Fixture Lenses

| |
|------------------|
| Tall 11 Degrees |
| Tall 20 Degrees |
| Tall 47 Degrees |
| Short 15 Degree |
| Short 28 Degree |
| Short 56 Degrees |
| Short 74 Degrees |
| None 120 Degrees |

Color Temp

| |
|------------------|
| 2700K - |
| 3000K - Standard |
| 3500K - |
| 4000K - |
| 5000K - |

Order Guide

[] - [] - [] - [] - [] - [] - [] - []

| Fixture Type | Base Type | Color Temp | CRI* | Optics | Accessories | Housings | Warranty |
|----------------|-----------------|------------|------------------------|-------------------|-------------------|-----------------|-------------------|
| R150 Short - C | E11 | 2700K | 80, 90, 97 | Tall 11 | Diffuser | Pendant Large | 10 Year LED Array |
| R150 Tall - C | E26 | 3000K | 80, 90, 97 | Tall 20 | E26 Extender 1" | Pendant Small | 3 Year Standard |
| | 1 3/4" | 3500K | 80, 90 | Tall 47 | E26 Extender 2" | Recessed Can | +1 |
| | 2 3/4" | 4000K | 80, 90, 97 | Short 15 | Lift Plate (1/2") | PAR56 PAR Can | +2 |
| | 4" | 5000K | 80, 90 | Short 28 | PAR Ring (56) | Black or Silver | +3 |
| | E39 - Mogul * | | *If blank 80 is issued | Short 56 | Custom Plate | PAR64 PAR Can | +4 |
| | BD15A * | | | Short 74 | | Black or Silver | +5 |
| | Specific Height | | | NONE- 120 Degrees | | | +6 |
| | BW - Bare Wire | | | | | | +7 |
| | PP - PAR Plug | | | | | | |
| | JBox** | | | | | | |

*E39 and BD15A require an E26 base with adaptors used to make this unit compatible with these base types. **JBox includes Bare Wire.

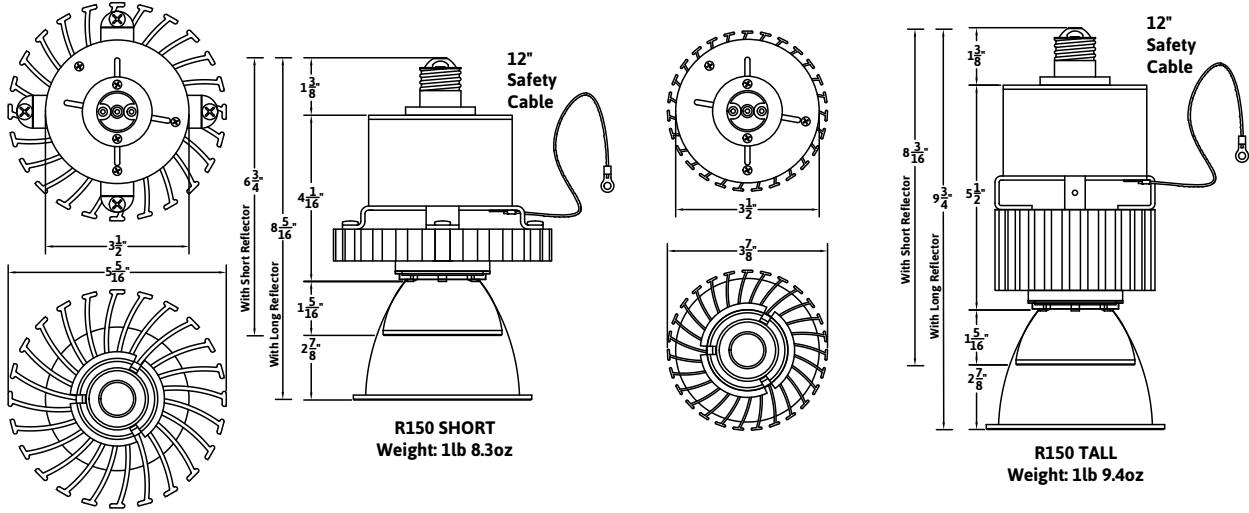
* Chips with a CRI greater than 80 are an additional 6 weeks beyond standard delivery



RETRO-Classic™ 150

150W Incandescent Replacement LED Engine
120V • CSA

Fixture Drawing



Photometrics (R150) 3,000K

Multiplication Factor for Color Temperature

- to convert to 2,700 Kelvin - fc X .9488
- to convert to 3,500 Kelvin - fc X 1.0196
- to convert to 4,000 Kelvin - fc X 1.0439
- to convert to 5,000 Kelvin - fc X 1.0617

To Solve Footcandles
Over A Distance

To Solve Area Over A
Distance

Peak Output
(Distance X Distance)

Distance X Mult.Factor

| Mult. Factor 0.4617 | 15° Diameter | Peak Output 12,338fc | Mult. Factor 0.7279 | 28° Diameter | Peak Output 4,610fc | Mult. Factor 1.1315 | 56° Diameter | Peak Output 2,134fc | Mult. Factor 1.4004 | 74° Diameter | Peak Output 1,134fc |
|------------------------|-----------------|-------------------------|------------------------|-----------------|-------------------------|------------------------|-----------------|------------------------|------------------------|------------------|------------------------|
| Distance | | Foot Candles | Distance | | Foot Candles | Distance | | Foot Candles | Distance | | Foot Candles |
| 8' | 2' | 214 | 8' | 4' | 79 | 8' | 9' | 36 | 8' | 11' | 23 |
| 10' | 3' | 129 | 10' | 5' | 50 | 10' | 11' | 22 | 10' | 14' | 15 |
| 20' | 5' | 30 | 20' | 10' | 11 | 20' | 21' | 5 | 20' | 28' | 3 |
| 30' | 8' | 13 | 30' | 15' | 5 | 30' | 32' | 2 | 30' | 42' | 1 |
| 40' | 11' | 7 | 40' | 20' | 2 | 40' | 42' | 1 | 40' | 56' | .1 |
| Mult. Factor .1926 | 11° Diameter | Peak Output 23,360fc | Mult. Factor 0.4069 | 20° Diameter | Peak Output 11,313fc | Mult. Factor .8489 | 47° Diameter | Peak Output 2,864fc | Mult. Factor 3.4641 | 120° Diameter | Peak Output 1,134fc |
| Distance | | Foot Candles | Distance | | Foot Candles | Distance | | Foot Candles | Distance | | Foot Candles |
| 8' | 1.5' | 365 | 8' | 3' | 206 | 8' | 7' | 52 | 8' | 28' | 14 |
| 10' | 2' | 233 | 10' | 4' | 127 | 10' | 9' | 34 | 9' | 31' | 11 |
| 20' | 4' | 58 | 20' | 7' | 26 | 20' | 17' | 7 | 10' | 35' | 9 |
| 30' | 6' | 26 | 30' | 11' | 12 | 30' | 25' | 3 | 12' | 42' | 6 |
| 40' | 8' | 14 | 40' | 14' | 6 | 40' | 34' | 1 | 15' | 52' | 4 |
| | | | | | | | | | 20' | 69' | 2 |

Contact your local representative or dealer for IES files.

