

# RETRO-Classic™ 1000

1000W Incandescent Replacement LED Engine  
120V • 230V • 277V • 240VAC • CSA

## Energy efficient LED Light Engine

Designed to retrofit directly into existing fixtures.

The RETRO-Classic is a CSA listed, Energy Star 2.0 retrofit kit that rapidly transforms existing inefficient incandescent fixtures into energy efficient LED fixtures. Our patented technology allows the fixture to smoothly dim from 0-100% utilizing existing dimming technology. Retrofit kits are available with a variety of options for both recessed and pendant style fixtures. Installation is as easy as changing a light bulb. Our LED technology creates even fields and delivers consistent color. The RETRO-Classic 1000 delivers more light than most 1000 watt incandescent bulbs it replaces with only a 90 watt load.

**10 Year  
LED Array  
Warranty**



### What the RETRO IS

- More cost effective than fixture replacement
- Large lumen output for this section of the market
- Listed for screw in replacement
- Energy Star certified 2.0
- Dims on existing dimming systems with no additional installation of control system
- 0-100% dimming without flicker, pulse, or stepping
- 80+ High CRI

### Electrical Data

- 90 Watts
- Power Factor (PF) .9955
- Lumens: 10133 @ 2700K
- Lumens per watt: 112.3
- LM 70: >50,000 Hours
- CRI@2700K: 81.11,R9+1.8
- 2 lbs 5 oz w/Reflector

### Applications

- 15 feet to 100 feet high ceilings
- Where dimming is a key concern
- Where there is no desire or budget to replace existing fixtures
- Where access is limited
- Where Energy Star is required
- Where a custom solution is required
- Where the ceiling cannot be disturbed

### Typical Installations

- Auditoriums
- Houses of worship
- Arenas
- Lobbies
- Museums
- Educational facilities
- Convention centers

### Base Types

E26- Edison
E11- Mini Candelabra
Par Ring/Bare Wire
Bi Pin
Custom Options

### CCT Lumen Output

2700K: 10,133 Lumens
3000K: 10,611 Lumens
3500K: 10,876 Lumens
4000K: 10,961 Lumens
5000K: 11,127 Lumens

### Fixture Lenses

Tall 15 Degrees
Tall 23 Degrees
Tall 46 Degrees
Short 26 Degree
Short 40 Degree
Short 59 Degrees
Short 70 Degrees
None 120 Degrees

### Color Temp

2700K -
3000K - Standard
3500K -
4000K -
5000K -

### Order Guide

[ ] - [ ] - [ ] - [ ] - [ ] - [ ] - [ ]

Fixture Type	Base Type	Color Temp	CRI*	Optics	Accessories	Warranty
R1000 - C	<b>E11</b>	2700K	80, 90, 97	Tall 15	Diffuser	10 Year LED Array
	<b>E26</b>	3000K	80, 90, 97	Tall 23	E26 Extender 1"	3 Year Standard
	1 3/4"	3500K	80, 90	Tall 46	E26 Extender 2"	+1
	2 3/4"	4000K	80, 90, 97	Short 26	Lift Plate (1/2")	+2
	4"	5000K	80, 90	Short 40	PAR Ring (56)	+3
	E39 - Mogul *		80, 90	Short 59	PAR Ring (64)	+4
	BD15A *		*If blank 80 is issued	Short 70	Custom Plate	+5
	Specific Height			NONE- 120 Degrees	Small Slope Adapter	+6
	BW - Bare Wire				Large Slope Adapter	+7
	PP - PAR Plug					
JBox**						

\*E39 and BD15A require an E26 base with adaptors used to make this unit compatible with these base types. \*\*JBox includes Bare Wire.

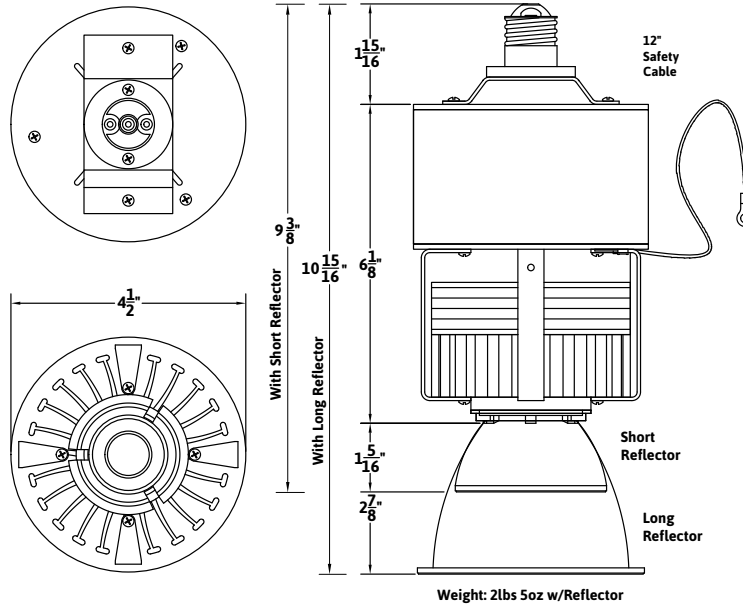
\* Chips with a CRI greater than 80 are an additional 6 weeks beyond standard delivery



# RETRO-Classic™ 1000

1000W Incandescent Replacement LED Engine  
120V • 230V • 277V • 240VAC • CSA

## Fixture Drawing



## Photometrics (R1000) 3,000K

Multiplication Factor for Color Temperature

- to convert to 2,700 Kelvin - fc X .9488
- to convert to 3,500 Kelvin - fc X 1.0196
- to convert to 4,000 Kelvin - fc X 1.0439
- to convert to 5,000 Kelvin - fc X 1.0617

To Solve Footcandles  
Over A Distance

To Solve Area Over A  
Distance

Peak Output ÷ (Distance X Distance)

Distance X Mult.Factor

Mult. Factor Distance	26° Diameter	Peak Output Foot Candles	Mult. Factor Distance	40° Diameter	Peak Output Foot Candles	Mult. Factor Distance	59° Diameter	Peak Output Foot Candles	Mult. Factor Distance	70° Diameter	Peak Output Foot Candles
15'	7'	82	15'	20'	49	15'	24'	48	15'	24'	20
20'	9'	47	20'	28'	27	20'	30'	27	20'	32'	12
25'	11' 6"	30	25'	36'	18	25'	39'	17	25'	38'	8
30'	14'	21	30'	42'	13	30'	45'	12	30'	46'	5
35'	16'	17	35'	44'	10	35'	50'	9			
40'	18'	13	40'	48'	8	40'	54'	7			
Mult. Factor Distance	15° Diameter	Peak Output Foot Candles	Mult. Factor Distance	23° Diameter	Peak Output Foot Candles	Mult. Factor Distance	46° Diameter	Peak Output Foot Candles	Mult. Factor Distance	120° Diameter	Peak Output Foot Candles
15'	2'	183	15'	8'	127	15'	15'	43	15'	52'	13
20'	2' 6"	101	20'	10'	68	20'	20'	24	20'	70'	7
25'	3' 6"	65	25'	11' 6"	43	25'	26'	15			
30'	4'	46	30'	16'	30	30'	32'	11			
35'	4' 9"	34	35'	20'	22	35'	38'	9			
40'	15' 5"	27	40'	25'	18	40'	44'	7	25'	87'	4

Contact your local representative or dealer for IES files.

