

CANTO is the trusted name in modern follow spots. Bright, modular, and ease of use are the trademarks of this economical line of units that can go anywhere and perform multiple tasks. The Italian design is simple and elegant with ergonomic handling and easy to understand labeling. It's all-in-one ordering system guarantees that the unit is delivered with everything needed to plug the fixture into the wall and begin your show. Canto followspots are great for schools, universities, professional theater, touring and houses of worship.

## Whats in the Box

- Follow Spot Fixture
- Douser Iris
- Iris
- Lamp
- Tripod Stand
- 5 Color Boomerang
- Electronic Power Supply
- Cable for Supply to Head
- Power Cable
- 15 Amp Edison
- 7.25" Round Gel Pack (5 Colors)
- 28mm Spigot
- Assurance that it works!
- Handle Mount Dimming Slide
- DMX Dimming In/Out

## Accessories/Options

- Additional Color Frames
- Spare Iris Diaphragm
- Gobo Holder (A or B)
- Spare 5 Color Boomerang
- Black Stand Tripod
- Tripod Casters
- One Handed Iris/Douser Controller
- Custom Flight Case
- Custom Permanent Floor Stand
- Truss Mount Pan Bearing Adaptor
- Over Hung Yoke
- 28mm Spigot
- TelRad
- Shutter Blades
- Professional Tripod Stand

## Unit Stats

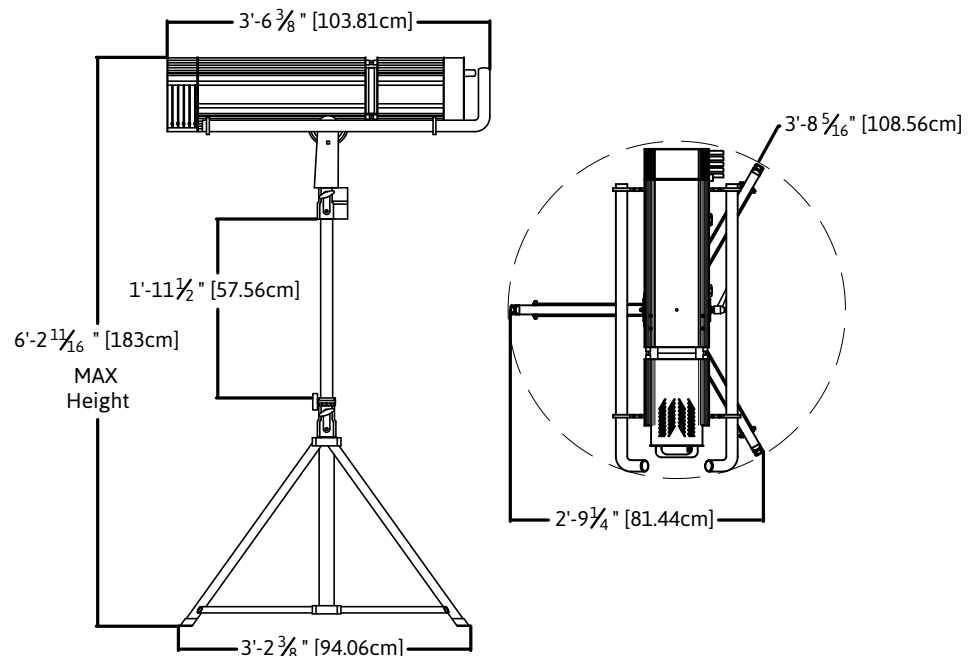
- Double Condenser+ Zoom
- 68MM Glass Reflector
- Double Pole Micro Switch for Safety
- Internal Ballast
- 8° to 22° Zoom
- 120V-240V
- Head 44 lbs.



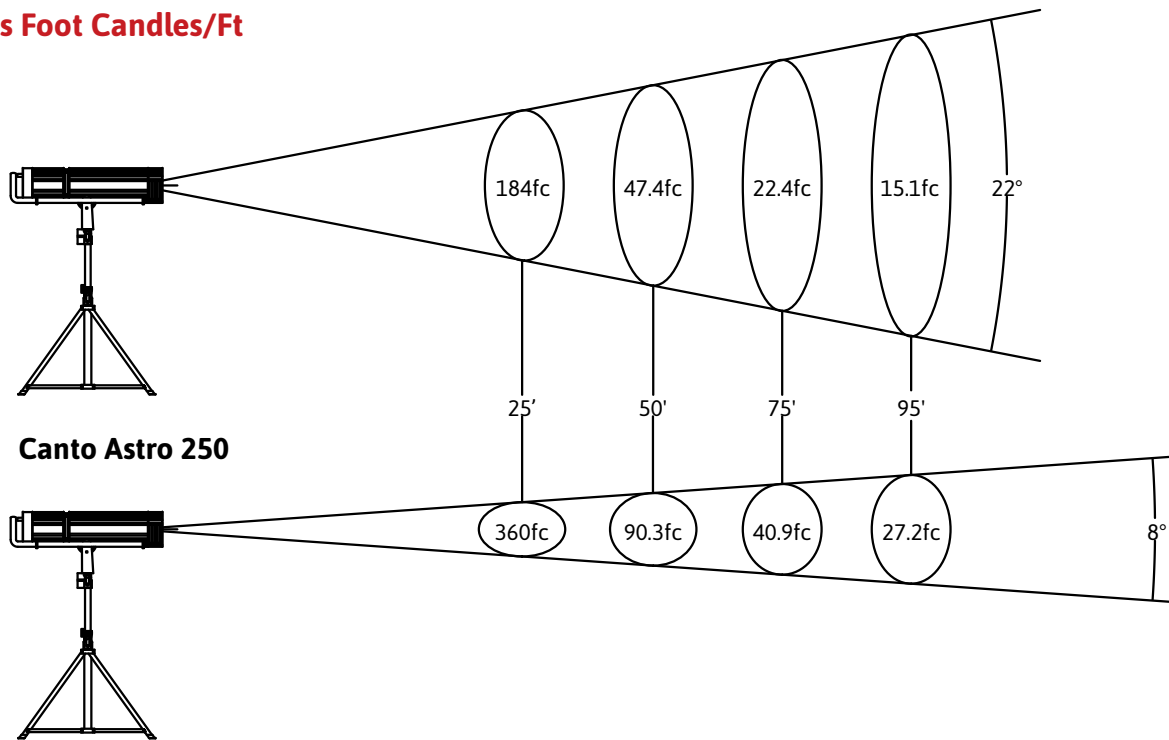
## Lamp Types

LED	3000K or 6000K	5000 Hours
-----	----------------	------------

## Dimensions



## Photometrics Foot Candles/Ft



## Photometrics Lux/M

# Coming Soon!

- \* Photometrics are an average of 3 readings taken in a real world small theater application.
- \* Light readings measured with a Sekonic C-700 U Spectromaster Color Meter.
- \* Measurements were taken with a new fixture.