

RETRO-Classic™ 1000

1000W Incandescent Replacement LED Engine
120V • 277V • 240VAC • CSA

Energy efficient LED Light Engine

Designed to retrofit directly into existing fixtures.

The RETRO-Classic is a CSA listed, Energy Star 2.0 retrofit kit that rapidly transforms existing inefficient incandescent fixtures into energy efficient LED fixtures. Our patented technology allows the fixture to smoothly dim from 0-100% utilizing existing dimming technology. Retrofit kits are available with a variety of options for both recessed and pendant style fixtures. Installation is as easy as changing a light bulb. Our LED technology creates even fields and delivers consistent color. The RETRO-Classic 1000 delivers more light than most 1000 watt incandescent bulbs it replaces with only a 90 watt load.

**10 Year
LED Array
Warranty**



What the RETRO IS

- More cost effective than fixture replacement
- Large lumen output for this section of the market
- Listed for screw in replacement
- Energy Star certified 2.0
- Dims on existing dimming systems with no additional installation of control system
- 0-100% dimming without flicker, pulse, or stepping
- 80+ High CRI

Electrical Data

- 90 Watts
- Power Factor (PF) .9955
- Lumens: 10133 @ 2700K
- Lumens per watt: 112.3
- LM 70: >50,000 Hours
- CRI@2700K: 81.11,R9+1.8
- 2 lbs 5 oz w/Reflector

Applications

- 15 feet to 100 feet high ceilings
- Where dimming is a key concern
- Where there is no desire or budget to replace existing fixtures
- Where access is limited
- Where Energy Star is required
- Where a custom solution is required
- Where the ceiling cannot be disturbed

Typical Installations

- Auditoriums
- Houses of worship
- Arenas
- Lobbies
- Museums
- Educational facilities
- Convention centers

Base Types

E26- Edison
E11- Mini Candelabra
Par Ring/Bare Wire
Bi Pin
Custom Options

CCT Lumen Output

2700K: 10,133 Lumens
3000K: 10,611 Lumens
3500K: 10,876 Lumens
4000K: 10,961 Lumens
5000K: 11,127 Lumens

Fixture Lenses

Tall 15 Degrees
Tall 23 Degrees
Tall 46 Degrees
Short 26 Degree
Short 40 Degree
Short 59 Degrees
Short 70 Degrees
None 120 Degrees

Color Temp

2700K -
3000K - Standard
3500K -
4000K -
5000K -

Order Guide

[] - [] - [] - [] - [] - [] - [] - []

Fixture Type	Base Type	Color Temp	CRI*	Optics	Accessories	Housings	Warranty
R1000 - C	E11	2700K	80, 90, 97	Tall 15	Diffuser	Pendant Large	10 Year LED Array
	1 3/4"	3000K	80, 90, 97	Tall 23	E26 Extender 1"	Pendant Small	3 Year Standard
	2 3/4"	3500K	80, 90	Tall 46	E26 Extender 2"	Recessed Can	+1
	4"	4000K	80, 90, 97	Short 26	Lift Plate (1/2")	PAR56 PAR Can	+2
		5000K	80, 90	Short 40	PAR Ring (56)	Black or Silver	+3
				Short 59	Custom Plate	PAR64 PAR Can	+4
				Short 70	Small Slope Adapter	Black or Silver	+5
				NONE- 120 Degrees	Large Slope Adapter		+6
							+7
		E39 - Mogul *		*If blank 80 is issued			
	BD15A *						
	Specific Height						
	BW - Bare Wire						
	PP - PAR Plug						
	JBox**						

*E39 and BD15A require an E26 base with adaptors used to make this unit compatible with these base types. **JBox includes Bare Wire.

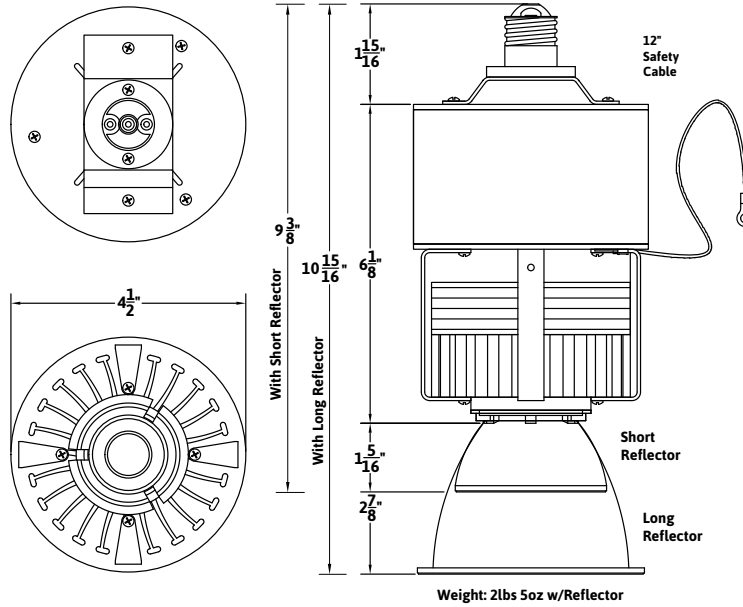
* Chips with a CRI greater than 80 are an additional 6 weeks beyond standard delivery



RETRO-Classic™ 1000

1000W Incandescent Replacement LED Engine
120V • 277V • 240VAC • CSA

Fixture Drawing



Photometrics (R1000) 3,000K

Multiplication Factor for Color Temperature

- to convert to 2,700 Kelvin - fc X .9488
- to convert to 3,500 Kelvin - fc X 1.0196
- to convert to 4,000 Kelvin - fc X 1.0439
- to convert to 5,000 Kelvin - fc X 1.0617

To Solve Footcandles
Over A Distance

To Solve Area Over A
Distance

Peak Output
(Distance X Distance)

Distance X Mult.Factor

Mult. Factor 0.4617	26° Diameter	Peak Output 14,514fc	Mult. Factor 0.7279	40° Diameter	Peak Output 11,431fc	Mult. Factor 1.1315	59° Diameter	Peak Output 11,309c	Mult. Factor 1.4004	70° Diameter	Peak Output 4,672c
Distance		Foot Candles	Distance		Foot Candles	Distance		Foot Candles	Distance		Foot Candles
15'	7'	82	15'	20'	49	15'	24'	48	15'	24'	20
20'	9'	47	20'	28'	27	20'	30'	27	20'	32'	12
25'	11' 6"	30	25'	36'	18	25'	39'	17	25'	38'	8
30'	14'	21	30'	42'	13	30'	45'	12	30'	46'	5
35'	16'	17	35'	44'	10	35'	50'	9			
40'	18'	13	40'	48'	8	40'	54'	7			
Mult. Factor 0.2633	15° Diameter	Peak Output 41,247fc	Mult. Factor 0.4069	23° Diameter	Peak Output 27,415fc	Mult. Factor .8489	46° Diameter	Peak Output 10,044fc	Mult. Factor 3.4641	120° Diameter	Peak Output 2,941fc
Distance		Foot Candles	Distance		Foot Candles	Distance		Foot Candles	Distance		Foot Candles
15'	2'	183	15'	8'	127	15'	15'	43	15'	52'	13
20'	2' 6"	101	20'	10'	68	20'	20'	24	20'	70'	7
25'	3' 6"	65	25'	11' 6"	43	25'	26'	15			
30'	4'	46	30'	16'	30	30'	32'	11			
35'	4' 9"	34	35'	20'	22	35'	38'	9			
40'	15' 5"	27	40'	25'	18	40'	44'	7	25'	87'	4

Contact your local representative or dealer for IES files.