

# RETRO-Fusion™ 500

500W Incandescent Replacement LED Engine  
120V • 277V • 240VAC • CSA

## Energy efficient LED Light Engine

Designed to retrofit directly into existing fixtures.

The RETRO-Fusion is a CSA listed, Energy Star 2.0 retrofit kit that rapidly transforms existing inefficient incandescent fixtures into energy efficient LED fixtures. Our patented technology allows the fixture to smoothly dim from 0-100% utilizing existing dimming technology. Retrofit kits are available with a variety of options for both recessed and pendant style fixtures. Installation is as easy as changing a light bulb. Our LED technology creates even fields and delivers consistent color. The RETRO-Fusion 500 delivers more light than most 500 watt incandescent bulbs it replaces with only a 49 watt load.



**10 Year  
LED Array  
Warranty**

### What the RETRO IS

- More cost effective than fixture replacement
- Large lumen output for this section of the market
- Listed for screw in replacement
- Energy Star certified 2.0
- Dims on existing dimming systems with no additional installation of control system
- 0-100% dimming without flicker, pulse, or stepping
- 80+ High CRI

### Electrical Data

- 49 Watts (49.07)
- Power Factor (PF) .9955
- Lumens: 5676 @ 2700K
- Lumens per watt: 115.67
- LM 70: >50,000 Hours
- CRI@2700K: 82,R9+4.9
- 1 lb 12.9 oz - 15.1 w/ Reflector

### Applications

- 9 feet to 50 feet high ceilings
- Where dimming is a key concern
- Where there is no desire or budget to replace existing fixtures
- Where access is limited
- Where Energy Star is required
- Where a custom solution is required
- Where the ceiling cannot be disturbed

### Typical Installations

- Auditoriums
- Houses of worship
- Arenas
- Lobbies
- Museums
- Educational facilities
- Convention centers

### Base Types

E26- Edison
E11- Mini Candelabra

### CCT Lumen Output

2700K: 5676 Lumens
3000K: 6024 Lumens
3500K: 6239 Lumens
4000K: 6309 Lumens
5000K: 6372 Lumens

### Fixture Lenses

Tall 15 Degrees
Tall 23 Degrees
Tall 46 Degrees
Short 26 Degree
Short 40 Degree
Short 59 Degrees
Short 70 Degrees
None 120 Degrees

### Color Temp

2700K -
3000K - Standard
3500K -
4000K -
5000K -

### Order Guide

[ ] - [ ] - [ ] - [ ] - [ ] - [ ] - [ ] - [ ]

Fixture Type	Base Type	Color Temp	CRI*	Optics	Accessories	Housings	Warranty
R500 - F	<b>E11</b>	2700K	80, 90, 97	Tall 15	Diffuser	Pendant Large	10 Year LED Array
	<b>E26</b>	3000K	80, 90, 97	Tall 23	E26 Extender 1"	Pendant Small	3 Year Standard
	1 3/4"	3500K	80, 90	Tall 46	E26 Extender 2"	Recessed Can	+1
	2 3/4"	4000K	80, 90, 97	Short 26	Small Slope Adapter		+2
	4"	5000K	80, 90	Short 40	Large Slope Adapter		+3
	E39 - Mogul *			Short 59			+4
	BD15A *			Short 70			+5
	Specific Height			NONE- 120 Degrees			+6
							+7

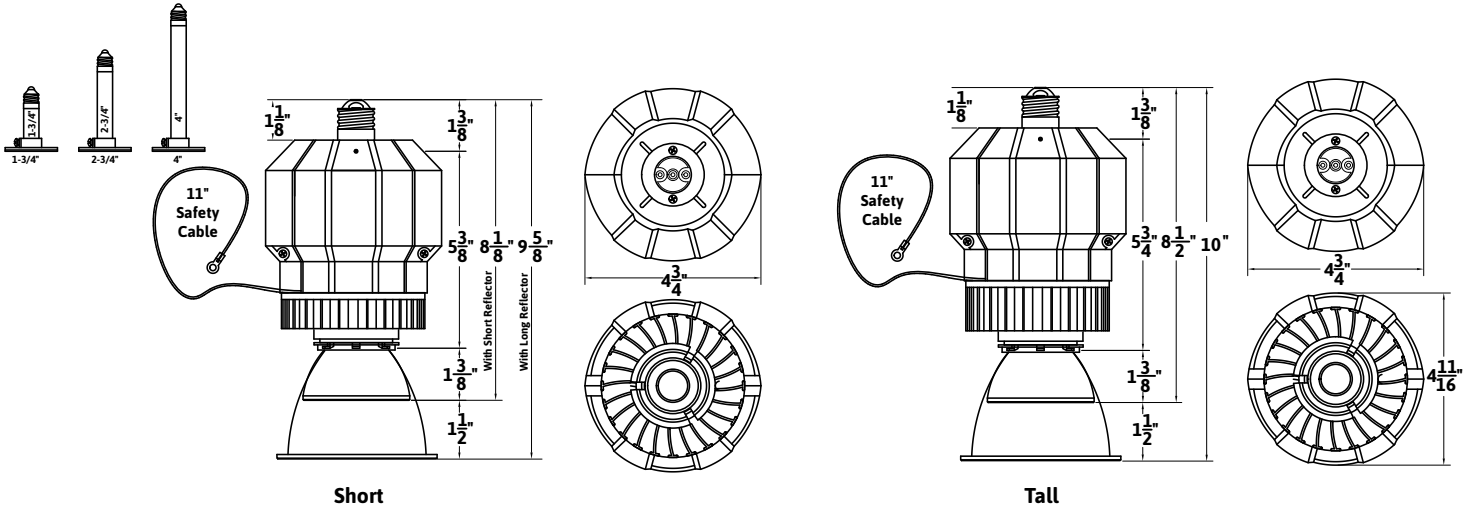
\*E39 and BD15A require an E26 base with adaptors used to make this unit compatible with these base types.

\* Chips with a CRI greater than 80 are an additional 6 weeks beyond standard delivery

# RETRO-Fusion™ 500

500W Incandescent Replacement LED Engine  
120V • 277V • 240VAC • CSA

## Fixture Drawing



**Short**  
Weight: 1lb 12.9oz w/Reflector

**Tall**  
Weight: 1lb 15.1oz w/Reflector

## Photometrics (R500) 3,000K

Multiplication Factor for Color Temperature

- to convert to 2,700 Kelvin - fc X .9488
- to convert to 3,500 Kelvin - fc X 1.0196
- to convert to 4,000 Kelvin - fc X 1.0439
- to convert to 5,000 Kelvin - fc X 1.0617

To Solve Footcandles  
Over A Distance

To Solve Area Over A  
Distance

Peak Output  
(Distance X Distance)

Distance X Mult.Factor

Mult. Factor Distance	26° Diameter	Peak Output Foot Candles	Mult. Factor Distance	40° Diameter	Peak Output Foot Candles	Mult. Factor Distance	59° Diameter	Peak Output Foot Candles	Mult. Factor Distance	70° Diameter	Peak Output Foot Candles
8'	4'	172	8'	6'	109	8'	9'	69	8'	11'	43
10'	5'	109	10'	7'	70	10'	11'	44	10'	14'	25
20'	9'	26	20'	15'	17	20'	23'	10	20'	28'	7
30'	14'	12	30'	22'	8	30'	34'	5	30'	42'	3
40'	18'	7	40'	29'	5	40'	45'	3	40'	56'	1
Mult. Factor Distance	15° Diameter	Peak Output Foot Candles	Mult. Factor Distance	23° Diameter	Peak Output Foot Candles	Mult. Factor Distance	46° Diameter	Peak Output Foot Candles	Mult. Factor Distance	120° Diameter	Peak Output Foot Candles
8'	2'	328	8'	3'	262	8'	7'	80	8'	28'	26
10'	3'	210	10'	4'	168	10'	8'	51	9'	31'	20
20'	5'	52	20'	8'	42	20'	17'	13	10'	35'	16
30'	8'	23	30'	12'	19	30'	25'	6	12'	42'	11
40'	11'	13	40'	16'	10	40'	34'	3	15'	52'	7
									20'	69'	4

Contact your local representative or dealer for IES files.

