

RETRO-Classic™ 500

500W Incandescent Replacement LED Engine
120V • 277V • 240VAC • CSA

Energy efficient LED Light Engine

Designed to retrofit directly into existing fixtures.

The RETRO-Classic is a CSA listed, Energy Star 2.0 retrofit kit that rapidly transforms existing inefficient incandescent fixtures into energy efficient LED fixtures. Our patented technology allows the fixture to smoothly dim from 0-100% utilizing existing dimming technology. Retrofit kits are available with a variety of options for both recessed and pendant style fixtures. Installation is as easy as changing a light bulb. Our LED technology creates even fields and delivers consistent color. The RETRO-Classic 500 delivers more light than most 500 watt incandescent bulbs it replaces with only a 49 watt load.

**10 Year
LED Array
Warranty**



What the RETRO IS

- More cost effective than fixture replacement
- Large lumen output for this section of the market
- Listed for screw in replacement
- Energy Star certified 2.0
- Dims on existing dimming systems with no additional installation of control system
- 0-100% dimming without flicker, pulse, or stepping
- 80+ High CRI

Electrical Data

- 49 Watts (49.07)
- Power Factor (PF) .9955
- Lumens: 5676 @ 2700K
- Lumens per watt: 115.67
- LM 70: >50,000 Hours
- CRI@2700K: 82,R9+4.9
- 2 lbs 5 oz w/Reflector

Applications

- 9 feet to 50 feet high ceilings
- Where dimming is a key concern
- Where there is no desire or budget to replace existing fixtures
- Where access is limited
- Where Energy Star is required
- Where a custom solution is required
- Where the ceiling cannot be disturbed

Typical Installations

- Auditoriums
- Houses of worship
- Arenas
- Lobbies
- Museums
- Educational facilities
- Convention centers

Base Types

| |
|----------------------|
| E26- Edison |
| E11- Mini Candelabra |
| Par Ring/Bare Wire |
| Bi Pin |
| Custom Options |

CCT Lumen Output

| |
|--------------------|
| 2700K: 5676 Lumens |
| 3000K: 6024 Lumens |
| 3500K: 6239 Lumens |
| 4000K: 6309 Lumens |
| 5000K: 6372 Lumens |

Fixture Lenses

| |
|------------------|
| Tall 15 Degrees |
| Tall 23 Degrees |
| Tall 46 Degrees |
| Short 26 Degree |
| Short 40 Degree |
| Short 59 Degrees |
| Short 70 Degrees |
| None 120 Degrees |

Color Temp

| |
|------------------|
| 2700K - |
| 3000K - Standard |
| 3500K - |
| 4000K - |
| 5000K - |

Order Guide

[] - [] - [] - [] - [] - [] - [] - []

| Fixture Type | Base Type | Color Temp | CRI* | Optics | Accessories | Housings | Warranty |
|--------------|-----------------|---------------|------------|------------------------|---------------------|-----------------|-------------------|
| R500 - C | E11 | 2700K | 80, 90, 97 | Tall 15 | Diffuser | Pendant Large | 10 Year LED Array |
| | 1 3/4" | 3000K | 80, 90, 97 | Tall 23 | E26 Extender 1" | Pendant Small | 3 Year Standard |
| | 2 3/4" | 3500K | 80, 90 | Tall 46 | E26 Extender 2" | Recessed Can | +1 |
| | 4" | 4000K | 80, 90, 97 | Short 26 | Lift Plate (1/2") | PAR56 PAR Can | +2 |
| | | 5000K | 80, 90, 97 | Short 40 | PAR Ring (56) | Black or Silver | +3 |
| | | | | Short 59 | Custom Plate | PAR64 PAR Can | +4 |
| | | | | Short 70 | Small Slope Adapter | Black or Silver | +5 |
| | | | | NONE- 120 Degrees | Large Slope Adapter | | +6 |
| | | | | | | | +7 |
| | | E39 - Mogul * | | *If blank 80 is issued | | | |
| | BD15A * | | | | | | |
| | Specific Height | | | | | | |
| | BW - Bare Wire | | | | | | |
| | PP - PAR Plug | | | | | | |
| | JBox** | | | | | | |

*E39 and BD15A require an E26 base with adaptors used to make this unit compatible with these base types. **JBox includes Bare Wire.

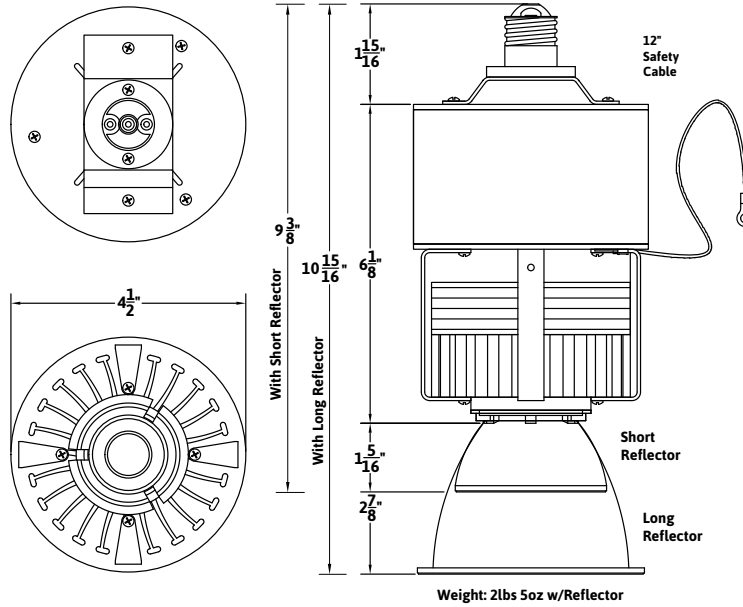
* Chips with a CRI greater than 80 are an additional 6 weeks beyond standard delivery



RETRO-Classic™ 500

500W Incandescent Replacement LED Engine
120V • 277V • 240VAC • CSA

Fixture Drawing



Photometrics (R500) 3,000K

Multiplication Factor for Color Temperature

- to convert to 2,700 Kelvin - fc X .9488
- to convert to 3,500 Kelvin - fc X 1.0196
- to convert to 4,000 Kelvin - fc X 1.0439
- to convert to 5,000 Kelvin - fc X 1.0617

To Solve Footcandles
Over A Distance

To Solve Area Over A
Distance

$$\text{Peak Output} \div (\text{Distance} \times \text{Distance})$$

$$\text{Distance} \times \text{Mult.Factor}$$

| Mult. Factor Distance | 26° Diameter | Peak Output Foot Candles | Mult. Factor Distance | 40° Diameter | Peak Output Foot Candles | Mult. Factor Distance | 59° Diameter | Peak Output Foot Candles | Mult. Factor Distance | 70° Diameter | Peak Output Foot Candles |
|--------------------------|-----------------|-----------------------------|--------------------------|-----------------|-----------------------------|--------------------------|-----------------|-----------------------------|--------------------------|------------------|-----------------------------|
| 8' | 4' | 172 | 8' | 6' | 109 | 8' | 9' | 69 | 8' | 11' | 43 |
| 10' | 5' | 109 | 10' | 7' | 70 | 10' | 11' | 44 | 10' | 14' | 25 |
| 20' | 9' | 26 | 20' | 15' | 17 | 20' | 23' | 10 | 20' | 28' | 7 |
| 30' | 14' | 12 | 30' | 22' | 8 | 30' | 34' | 5 | 30' | 42' | 3 |
| 40' | 18' | 7 | 40' | 29' | 5 | 40' | 45' | 3 | 40' | 56' | 1 |
| Mult. Factor Distance | 15° Diameter | Peak Output Foot Candles | Mult. Factor Distance | 23° Diameter | Peak Output Foot Candles | Mult. Factor Distance | 46° Diameter | Peak Output Foot Candles | Mult. Factor Distance | 120° Diameter | Peak Output Foot Candles |
| 8' | 2' | 328 | 8' | 3' | 262 | 8' | 7' | 80 | 8' | 28' | 26 |
| 10' | 3' | 210 | 10' | 4' | 168 | 10' | 8' | 51 | 9' | 31' | 20 |
| 20' | 5' | 52 | 20' | 8' | 42 | 20' | 17' | 13 | 10' | 35' | 16 |
| 30' | 8' | 23 | 30' | 12' | 19 | 30' | 25' | 6 | 12' | 42' | 11 |
| 40' | 11' | 13 | 40' | 16' | 10 | 40' | 34' | 3 | 15' | 52' | 7 |
| | | | | | | | | | 20' | 69' | 4 |

Contact your local representative or dealer for IES files.