

RETRO-Classic™ 700

700W Incandescent Replacement LED Engine
120V • 277V • 240VAC • CSA

Energy efficient LED Light Engine

Designed to retrofit directly into existing fixtures.

The RETRO-Classic is a CSA listed, Energy Star 2.0 retrofit kit that rapidly transforms existing inefficient incandescent fixtures into energy efficient LED fixtures. Our patented technology allows the fixture to smoothly dim from 0-100% utilizing existing dimming technology. Retrofit kits are available with a variety of options for both recessed and pendant style fixtures. Installation is as easy as changing a light bulb. Our LED technology creates even fields and delivers consistent color. The RETRO-Classic 700 delivers more light than most 700 watt incandescent bulbs it replaces with only a 72 watt load.

**10 Year
LED Array
Warranty**



What the RETRO IS

- More cost effective than fixture replacement
- Large lumen output for this section of the market
- Listed for screw in replacement
- Energy Star certified 2.0
- Dims on existing dimming systems with no additional installation of control system
- 0-100% dimming without flicker, pulse, or stepping
- 80+ High CRI

Electrical Data

- 72 Watts (72.3)
- Power Factor (PF) .9955
- Lumens: 8107 @ 2700K
- Lumens per watt: 112.3
- LM 70: >50,000 Hours
- CRI@2700K: 81.11,R9+1.8
- 2 lbs 5 oz w/Reflector

Applications

- 10 feet to 60 feet high ceilings
- Where dimming is a key concern
- Where there is no desire or budget to replace existing fixtures
- Where access is limited
- Where Energy Star is required
- Where a custom solution is required
- Where the ceiling cannot be disturbed

Typical Installations

- Auditoriums
- Houses of worship
- Arenas
- Lobbies
- Museums
- Educational facilities
- Convention centers

Base Types

| |
|----------------------|
| E26- Edison |
| E11- Mini Candelabra |
| Par Ring/Bare Wire |
| Bi Pin |
| Custom Options |

CCT Lumen Output

| |
|--------------------|
| 2700K: 8107 Lumens |
| 3000K: 8489 Lumens |
| 3500K: 8669 Lumens |
| 4000K: 8769 Lumens |
| 5000K: 8902 Lumens |

Fixture Lenses

| |
|------------------|
| Tall 15 Degrees |
| Tall 23 Degrees |
| Tall 46 Degrees |
| Short 26 Degree |
| Short 40 Degree |
| Short 59 Degrees |
| Short 70 Degrees |
| None 120 Degrees |

Color Temp

| |
|------------------|
| 2700K - |
| 3000K - Standard |
| 3500K - |
| 4000K - |
| 5000K - |

Order Guide

[] - [] - [] - [] - [] - [] - [] - []

| Fixture Type | Base Type | Color Temp | CRI* | Optics | Accessories | Housings | Warranty |
|--------------|--|---|--|--|--|--|--|
| R700 - C | E11 1 3/4" 2 3/4" 4" | 2700K 3000K 3500K 4000K 5000K | 80, 90, 97 80, 90, 97 80, 90 80, 90, 97 80, 90 | Tall 15 Tall 23 Tall 46 Short 26 Short 40 Short 59 Short 70 NONE- 120 Degrees | Diffuser E26 Extender 1" E26 Extender 2" Lift Plate (1/2") PAR Ring (56) Custom Plate Small Slope Adapter Large Slope Adapter | Pendant Large Pendant Small Recessed Can PAR56 PAR Can Black or Silver PAR64 PAR Can Black or Silver | 10 Year LED Array 3 Year Standard +1 +2 +3 +4 +5 +6 +7 |
| | E39 - Mogul * BD15A * Specific Height BW - Bare Wire PP - PAR Plug JBox** | | *If blank 80 is issued | | | | |

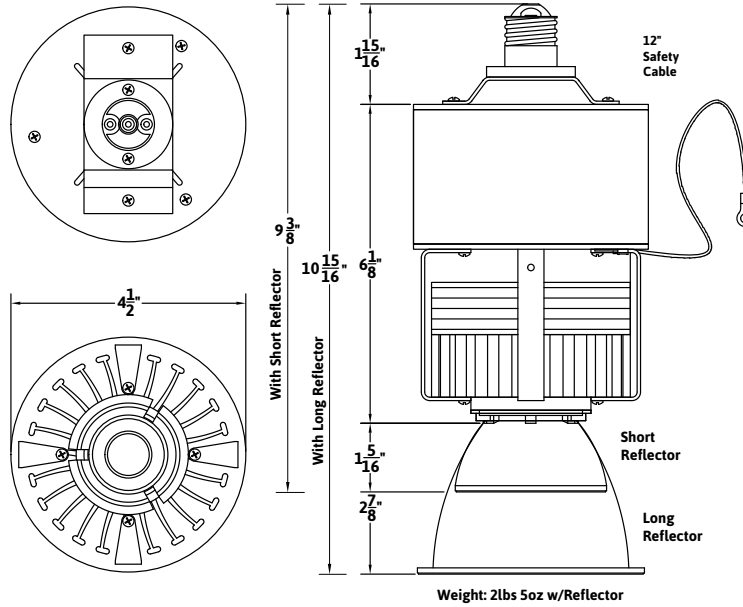
*E39 and BD15A require an E26 base with adaptors used to make this unit compatible with these base types. **JBox includes Bare Wire.

* Chips with a CRI greater than 80 are an additional 6 weeks beyond standard delivery

RETRO-Classic™ 700

700W Incandescent Replacement LED Engine
120V • 277V • 240VAC • CSA

Fixture Drawing



Photometrics (R700) 3,000K

Multiplication Factor for Color Temperature

- to convert to 2,700 Kelvin - fc X .9488
- to convert to 3,500 Kelvin - fc X 1.0196
- to convert to 4,000 Kelvin - fc X 1.0439
- to convert to 5,000 Kelvin - fc X 1.0617

To Solve Footcandles
Over A Distance

To Solve Area Over A
Distance

$$\text{Peak Output} \div (\text{Distance} \times \text{Distance})$$

$$\text{Distance} \times \text{Mult.Factor}$$

| Mult. Factor Distance | 26° Diameter | Peak Output Foot Candles | Mult. Factor Distance | 40° Diameter | Peak Output Foot Candles | Mult. Factor Distance | 59° Diameter | Peak Output Foot Candles | Mult. Factor Distance | 70° Diameter | Peak Output Foot Candles |
|--------------------------|-----------------|-----------------------------|--------------------------|-----------------|-----------------------------|--------------------------|-----------------|-----------------------------|--------------------------|------------------|-----------------------------|
| 8' | 4' | 331 | 8' | 6' | 204 | 8' | 9' | 130 | 8' | 11' | 73 |
| 10' | 5' | 216 | 10' | 7' | 134 | 10' | 11' | 85 | 10' | 14' | 48 |
| 20' | 9' | 51 | 20' | 15' | 32 | 20' | 23' | 21 | 20' | 28' | 11 |
| 30' | 14' | 22 | 30' | 22' | 14 | 30' | 34' | 9 | 30' | 42' | 5 |
| 40' | 18' | 12 | 40' | 29' | 7 | 40' | 45' | 5 | 40' | 56' | 2 |
| Mult. Factor Distance | 15° Diameter | Peak Output Foot Candles | Mult. Factor Distance | 23° Diameter | Peak Output Foot Candles | Mult. Factor Distance | 46° Diameter | Peak Output Foot Candles | Mult. Factor Distance | 120° Diameter | Peak Output Foot Candles |
| 8' | 2' | 600 | 8' | 3' | 400 | 8' | 7' | 142 | 8' | 28' | 46 |
| 10' | 3' | 310 | 10' | 4' | 262 | 10' | 8' | 100 | 9' | 31' | 38 |
| 20' | 5' | 90 | 20' | 8' | 61 | 20' | 17' | 21 | 10' | 35' | 30 |
| 30' | 8' | 39 | 30' | 12' | 26 | 30' | 25' | 10 | 12' | 42' | 21 |
| 40' | 11' | 22 | 40' | 16' | 14 | 40' | 34' | 5 | 15' | 52' | 13 |
| | | | | | | | | | 20' | 69' | 7 |

Contact your local representative or dealer for IES files.