

RETRO-Passive® 500

500W Incandescent Replacement LED Engine
120V • 277V • 240VAC • CSA

Energy efficient LED Light Engine

Designed to retrofit directly into existing fixtures.

The RETRO-Passive is a CSA listed, Energy Star 2.0 retrofit kit that rapidly transforms existing inefficient incandescent fixtures into energy efficient LED fixtures. Our patented technology allows the fixture to smoothly dim from 0-100% utilizing existing dimming technology. Retrofit kits are available with a variety of options for both recessed and pendant style fixtures. Installation is as easy as changing a light bulb. Our LED technology creates even fields and delivers consistent color. The RETRO-Passive 500 delivers more light than most 500 watt incandescent bulbs it replaces with only a 49 watt load.

**10 Year
LED Array
Warranty**



What the RETRO IS

- More cost effective than fixture replacement
- Large lumen output for this section of the market
- Listed for screw in replacement
- Energy Star certified 2.0
- Dims on existing dimming systems with no additional installation of control system
- 0-100% dimming without flicker, pulse, or stepping
- 80+ High CRI

Electrical Data

- 49 Watts (49.07)
- Power Factor (PF) .9955
- Lumens: 5676 @ 2700K
- Lumens per watt: 115.67
- LM 70: >50,000 Hours
- CRI@2700K: 82,R9+4.9
- 3 lbs 4.8 oz w/Reflector

Applications

- 9 feet to 50 feet high ceilings
- Where dimming is a key concern
- Where there is no desire or budget to replace existing fixtures
- Where access is limited
- Where Energy Star is required
- Where a custom solution is required
- Where the ceiling cannot be disturbed

Typical Installations

- Auditoriums
- Houses of worship
- Arenas
- Lobbies
- Museums
- Educational facilities
- Convention centers
- Concert halls

Base Types

E26- Edison
E11- Mini Candelabra (Unavailable for the 700 Series)
Par Ring/Bare Wire
Bi Pin
Custom Options

CCT Lumen Output

2700K: 5676 Lumens
3000K: 6024 Lumens
3500K: 6239 Lumens
4000K: 6309 Lumens
5000K: 6372 Lumens

Fixture Lenses

Tall 15 Degrees
Tall 23 Degrees
Tall 46 Degrees
Short 26 Degree
Short 40 Degree
Short 59 Degrees
Short 70 Degrees
None 120 Degrees

Color Temp

2700K -
3000K - Standard
3500K -
4000K -
5000K -

Order Guide

- - - - - -

Base Type	Length of Stem Lift Plate (1/2")	Color Temp	CRI*	Optics	Accessories/Par Ring	Warranty
EB- Edison (E26)			80 is standard	Tall 15	PAR46 Ring	10 Year LED Array
Par Ring/Bare Wire		2700K	80, 90, 97	Tall 23	PAR56 Ring	3 Year Standard
Custom	E26	3000K	80, 90, 97	Tall 46	PAR64 Ring	+1
	1"	3500K	80, 90	Short 26	Diffuser	+2
	1 1/2"	4000K	80, 90, 97	Short 40	(E39) Mogul Adaptor for E26	+3
	2 1/2"	5000K	80, 90	Short 59	E26 Extender	
	Custom Bare Wire Include Length			Short 70	Adjustable Par Ring (56)(64)	
				NONE- 120 Degrees	Custom - Include .dwg or .pdf	

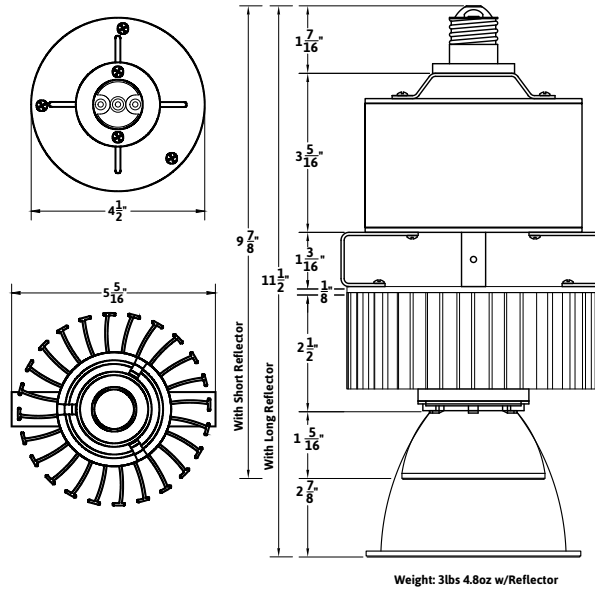
* Chips with a CRI greater than 80 are an additional 6 weeks beyond standard delivery



RETRO-Passive® 500

500W Incandescent Replacement LED Engine
120V • 277V • 240VAC • CSA

Fixture Drawing



Photometrics (R500) 3,000K

Multiplication Factor for Color Temperature

- to convert to 2,700 Kelvin - fc X .9488
- to convert to 3,500 Kelvin - fc X 1.0196
- to convert to 4,000 Kelvin - fc X 1.0439
- to convert to 5,000 Kelvin - fc X 1.0617

To Solve Footcandles
Over A Distance

To Solve Area Over A
Distance

Peak Output
(Distance X Distance)

Distance X Mult.Factor

Mult. Factor 0.4617	26° Diameter	Peak Output 10,817fc	Mult. Factor 0.7279	40° Diameter	Peak Output 7,086fc	Mult. Factor 1.1315	59° Diameter	Peak Output 4,386c	Mult. Factor 1.4004	70° Diameter	Peak Output 2,568c
8'	4'	172	8'	6'	109	8'	9'	69	8'	11'	43
10'	5'	109	10'	7'	70	10'	11'	44	10'	14'	25
20'	9'	26	20'	15'	17	20'	23'	10	20'	28'	7
30'	14'	12	30'	22'	8	30'	34'	5	30'	42'	3
40'	18'	7	40'	29'	5	40'	45'	3	40'	56'	1
Mult. Factor 0.2633	15° Diameter	Peak Output 20,965fc	Mult. Factor 0.4069	23° Diameter	Peak Output 11,313fc	Mult. Factor .8489	46° Diameter	Peak Output 5,115fc	Mult. Factor 3.4641	120° Diameter	Peak Output 1,637fc
8'	2'	328	8'	3'	262	8'	7'	80	8'	28'	26
10'	3'	210	10'	4'	168	10'	8'	51	9'	31'	20
20'	5'	52	20'	8'	42	20'	17'	13	10'	35'	16
30'	8'	23	30'	12'	19	30'	25'	6	12'	42'	11
40'	11'	13	40'	16'	10	40'	34'	3	15'	52'	7
									20'	69'	4

Contact your local representative or dealer for IES files.

