

# RETRO-Fusion™ 500

500W Incandescent Replacement LED Engine  
120V • 277V • 240VAC • CSA

## Energy efficient LED Light Engine

Designed to retrofit directly into existing fixtures.

The RETRO-Fusion is a CSA listed, Energy Star 2.0 retrofit kit that rapidly transforms existing inefficient incandescent fixtures into energy efficient LED fixtures. Our patented technology allows the fixture to smoothly dim from 0-100% utilizing existing dimming technology. Retrofit kits are available with a variety of options for both recessed and pendant style fixtures. Installation is as easy as changing a light bulb. Our LED technology creates even fields and delivers consistent color. The RETRO-Fusion 500 delivers more light than most 500 watt incandescent bulbs it replaces with only a 49 watt load.



**10 Year  
LED Array  
Warranty**

### What the RETRO IS

- More cost effective than fixture replacement
- Large lumen output for this section of the market
- Listed for screw in replacement
- Energy Star certified 2.0
- Dims on existing dimming systems with no additional installation of control system
- 0-100% dimming without flicker, pulse, or stepping
- 80+ High CRI

### Electrical Data

- 49 Watts (49.07)
- Power Factor (PF) .9955
- Lumens: 5676 @ 2700K
- Lumens per watt: 115.67
- LM 70: >50,000 Hours
- CRI@2700K: 82,R9+4.9
- 1 lb 12.9 oz - 15.1 w/ Reflector

### Applications

- 9 feet to 50 feet high ceilings
- Where dimming is a key concern
- Where there is no desire or budget to replace existing fixtures
- Where access is limited
- Where Energy Star is required
- Where a custom solution is required
- Where the ceiling cannot be disturbed

### Typical Installations

- Auditoriums
- Houses of worship
- Arenas
- Lobbies
- Museums
- Educational facilities
- Convention centers

### Base Types

E26- Edison

E11- Mini Candelabra

### CCT Lumen Output

2700K: 5676 Lumens

3000K: 6024 Lumens

3500K: 6239 Lumens

4000K: 6309 Lumens

5000K: 6372 Lumens

### Fixture Lenses

Tall 15 Degrees

Tall 23 Degrees

Tall 46 Degrees

Short 26 Degree

Short 40 Degree

Short 59 Degrees

Short 70 Degrees

None 120 Degrees

### Color Temp

2700K -

3000K - Standard

3500K -

4000K -

5000K -

### Order Guide

R500

#### Base Type

EB- Edison (E26)

MC- Mini Candelabra (E11)

#### Length of Stem

Lift Plate (1/2")

#### E11

1 3/4"

2 3/4"

4"

#### E26

1"

1 1/2"

2 1/2"

#### Color Temp

2700K

3000K

3500K

4000K

5000K

#### CRI\*

80 is standard

80, 90, 97

80, 90, 97

80, 90

80, 90, 97

80, 90

#### Optics

Tall 15

Tall 23

Tall 46

Short 26

Short 40

Short 59

Short 70

NONE- 120 Degrees

#### Accessories

Diffuser

(E39) Mogul Adaptor for E26

BA15D

E26 Extender

#### Warranty

10 Year LED Array

3 Year Standard

+1

+2

+3

+4

+5

+6

+7

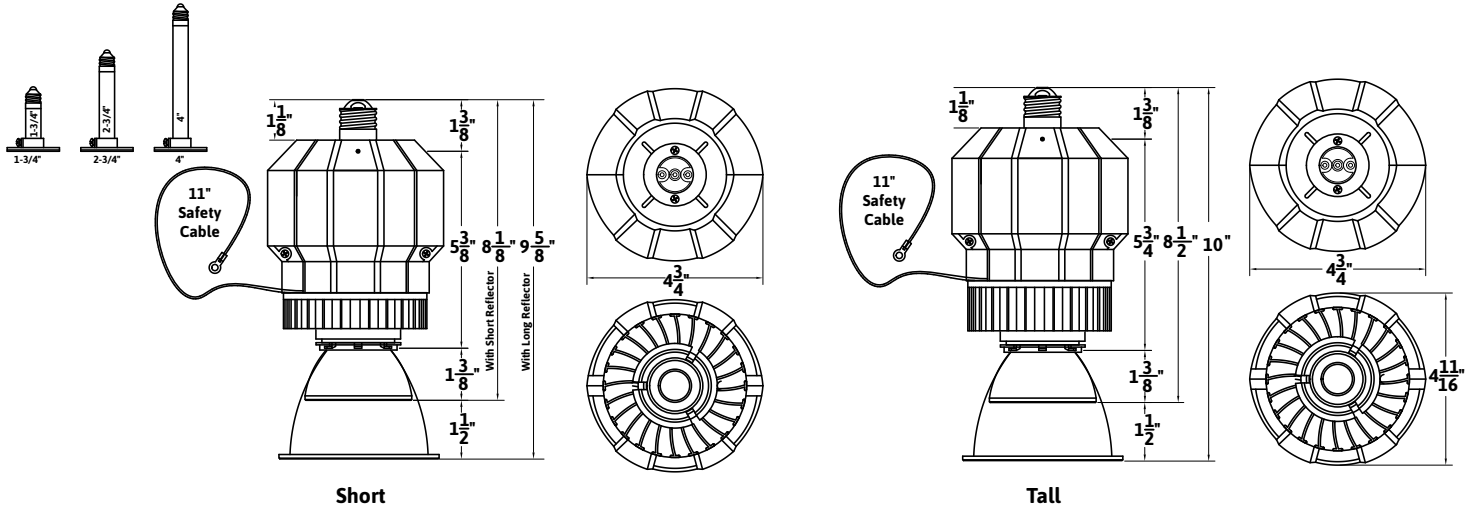
\* Chips with a CRI greater than 80 are an additional 6 weeks beyond standard delivery



# RETRO-Fusion™ 500

500W Incandescent Replacement LED Engine  
120V • 277V • 240VAC • CSA

## Fixture Drawing



**Short**  
Weight: 1lb 12.9oz w/Reflector

**Tall**  
Weight: 1lb 15.1oz w/Reflector

## Photometrics (R500) 3,000K

Multiplication Factor for Color Temperature

- to convert to 2,700 Kelvin - fc X .9488
- to convert to 3,500 Kelvin - fc X 1.0196
- to convert to 4,000 Kelvin - fc X 1.0439
- to convert to 5,000 Kelvin - fc X 1.0617

To Solve Footcandles  
Over A Distance

To Solve Area Over A  
Distance

Peak Output  
(Distance X Distance)

Distance X Mult.Factor

Mult. Factor Distance	26° Diameter	Peak Output Foot Candles	Mult. Factor Distance	40° Diameter	Peak Output Foot Candles	Mult. Factor Distance	59° Diameter	Peak Output Foot Candles	Mult. Factor Distance	70° Diameter	Peak Output Foot Candles
8'	4'	172	8'	6'	109	8'	9'	69	8'	11'	43
10'	5'	109	10'	7'	70	10'	11'	44	10'	14'	25
20'	9'	26	20'	15'	17	20'	23'	10	20'	28'	7
30'	14'	12	30'	22'	8	30'	34'	5	30'	42'	3
40'	18'	7	40'	29'	5	40'	45'	3	40'	56'	1
Mult. Factor Distance	15° Diameter	Peak Output Foot Candles	Mult. Factor Distance	23° Diameter	Peak Output Foot Candles	Mult. Factor Distance	46° Diameter	Peak Output Foot Candles	Mult. Factor Distance	120° Diameter	Peak Output Foot Candles
8'	2'	328	8'	3'	262	8'	7'	80	8'	28'	26
10'	3'	210	10'	4'	168	10'	8'	51	9'	31'	20
20'	5'	52	20'	8'	42	20'	17'	13	10'	35'	16
30'	8'	23	30'	12'	19	30'	25'	6	12'	42'	11
40'	11'	13	40'	16'	10	40'	34'	3	15'	52'	7
									20'	69'	4

Contact your local representative or dealer for IES files.

