

RETRO-Fusion™ 700

700W Incandescent Replacement LED Engine
120V • 277V • 240VAC • CSA

Energy efficient LED Light Engine

Designed to retrofit directly into existing fixtures.

The RETRO-Fusion is a CSA listed, Energy Star 2.0 retrofit kit that rapidly transforms existing inefficient incandescent fixtures into energy efficient LED fixtures. Our patented technology allows the fixture to smoothly dim from 0-100% utilizing existing dimming technology. Retrofit kits are available with a variety of options for both recessed and pendant style fixtures. Installation is as easy as changing a light bulb. Our LED technology creates even fields and delivers consistent color. The RETRO-Fusion 700 delivers more light than most 700 watt incandescent bulbs it replaces with only a 72 watt load.

**10 Year
LED Array
Warranty**



What the RETRO IS

- More cost effective than fixture replacement
- Large lumen output for this section of the market
- Listed for screw in replacement
- Energy Star certified 2.0
- Dims on existing dimming systems with no additional installation of control system
- 0-100% dimming without flicker, pulse, or stepping
- 80+ High CRI

Electrical Data

- 72 Watts (72.3)
- Power Factor (PF) .9955
- Lumens: 8107 @ 2700K
- Lumens per watt: 112.3
- LM 70: >50,000 Hours
- CRI@2700K: 81.11,R9+1.8
- 1 lb 15.1 oz w/Reflector

Applications

- 10 feet to 60 feet high ceilings
- Where dimming is a key concern
- Where there is no desire or budget to replace existing fixtures
- Where access is limited
- Where Energy Star is required
- Where a custom solution is required
- Where the ceiling cannot be disturbed

Typical Installations

- Auditoriums
- Houses of worship
- Arenas
- Lobbies
- Museums
- Educational facilities
- Convention centers

Base Types

E26- Edison

E11- Mini Candelabra

CCT Lumen Output

2700K: 8107 Lumens

3000K: 8489 Lumens

3500K: 8669 Lumens

4000K: 8769 Lumens

5000K: 8902 Lumens

Fixture Lenses

Tall 15 Degrees

Tall 23 Degrees

Tall 46 Degrees

Short 26 Degree

Short 40 Degree

Short 59 Degrees

Short 70 Degrees

None 120 Degrees

Color Temp

2700K -

3000K - Standard

3500K -

4000K -

5000K -

Order Guide

R700

Base Type

EB- Edison (E26)

MC- Mini Candelabra (E11)

Length of Stem

Lift Plate (1/2")

E11

1 3/4"

2 3/4"

4"

E26

1"

1 1/2"

2 1/2"

Color Temp

2700K

3000K

3500K

4000K

5000K

CRI*

80 is standard

80, 90, 97

80, 90, 97

80, 90

80, 90, 97

80, 90

Optics

Tall 15

Tall 23

Tall 46

Short 26

Short 40

Short 59

Short 70

NONE- 120 Degrees

Accessories

Diffuser

(E39) Mogul Adaptor for E26

BA15D

E26 Extender

Warranty

10 Year LED Array

3 Year Standard

+1

+2

+3

+4

+5

+6

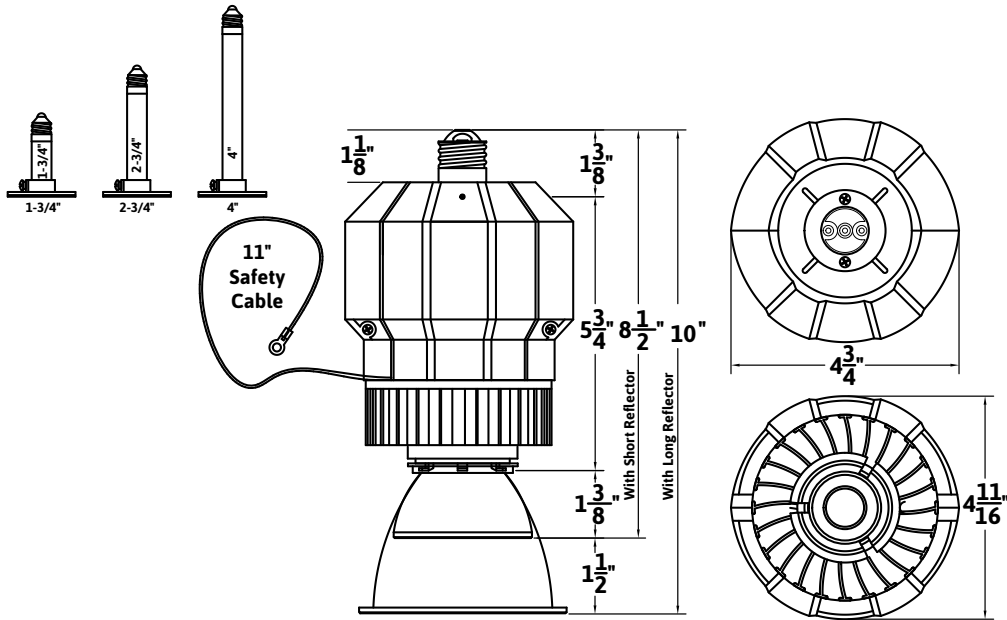
+7

* Chips with a CRI greater than 80 are an additional 6 weeks beyond standard delivery

RETRO-Fusion™ 700

700W Incandescent Replacement LED Engine
120V • 277V • 240VAC • CSA

Fixture Drawing



Weight: 1lbs 15.1oz w/Reflector

Photometrics (R700) 3,000K

Multiplication Factor for Color Temperature

- to convert to 2,700 Kelvin - fc X .9488
- to convert to 3,500 Kelvin - fc X 1.0196
- to convert to 4,000 Kelvin - fc X 1.0439
- to convert to 5,000 Kelvin - fc X 1.0617

To Solve Footcandles
Over A Distance

To Solve Area Over A
Distance

Peak Output
(Distance X Distance)

Distance X Mult.Factor

Mult. Factor 0.4617	26° Diameter	Peak Output 20,738fc	Mult. Factor 0.7279	40° Diameter	Peak Output 12,936fc	Mult. Factor 1.1315	59° Diameter	Peak Output 8,341c	Mult. Factor 1.4004	70° Diameter	Peak Output 4,489c
8'	4'	331	8'	6'	204	8'	9'	130	8'	11'	73
10'	5'	216	10'	7'	134	10'	11'	85	10'	14'	48
20'	9'	51	20'	15'	32	20'	23'	21	20'	28'	11
30'	14'	22	30'	22'	14	30'	34'	9	30'	42'	5
40'	18'	12	40'	29'	7	40'	45'	5	40'	56'	2
Mult. Factor 0.2633	15° Diameter	Peak Output 37,197fc	Mult. Factor 0.4069	23° Diameter	Peak Output 24,838fc	Mult. Factor .8489	46° Diameter	Peak Output 8,872fc	Mult. Factor 3.4641	120° Diameter	Peak Output 2,962fc
8'	2'	600	8'	3'	400	8'	7'	142	8'	28'	46
10'	3'	310	10'	4'	262	10'	8'	100	9'	31'	38
20'	5'	90	20'	8'	61	20'	17'	21	10'	35'	30
30'	8'	39	30'	12'	26	30'	25'	10	12'	42'	21
40'	11'	22	40'	16'	14	40'	34'	5	15'	52'	13
									20'	69'	7

Contact your local representative or dealer for IES files.

