

RETRO-Classic™ 300

300W Incandescent Replacement LED Engine
120V • CSA

Energy efficient LED Light Engine

Designed to retrofit directly into existing fixtures.

The RETRO-Classic is a CSA listed, Energy Star 2.0 retrofit kit that rapidly transforms existing inefficient incandescent fixtures into energy efficient LED fixtures. Our patented technology allows the fixture to smoothly dim from 0-100% utilizing existing dimming technology. Retrofit kits are available with a variety of options for both recessed and pendant style fixtures. Installation is as easy as changing a light bulb. Our LED technology creates even fields and delivers consistent color. The RETRO-Classic 300 delivers more light than most 300 watt incandescent bulbs it replaces with only a 30 watt load.

**10 Year
LED Array
Warranty**



What the RETRO IS

- More cost effective than fixture replacement
- Large lumen output for this section of the market
- Listed for screw in replacement
- Energy Star certified 2.0
- Dims on existing dimming systems with no additional installation of control system
- 0-100% dimming without flicker, pulse, or stepping
- 80+ High CRI

Electrical Data

- 30 Watts (30.61)
- Lumens 3237 @ 2700K
- Power Factor (PF) .9936
- Lumens per watt: 105.74
- LM 70: >50,000 Hours
- CRI@2700K: 81.73,R9+2.6
- 1 lbs 14.4 oz w/Reflector

Applications

- 9 feet to 40 feet high ceilings
- Where dimming is a key concern
- Where there is no desire or budget to replace existing fixtures
- Where access is limited
- Where Energy Star is required
- Where a custom solution is required
- Where the ceiling cannot be disturbed

Typical Installations

- Auditoriums
- Houses of worship
- Arenas
- Lobbies
- Museums
- Educational facilities
- Convention centers

Base Types

E26- Edison
E11- Mini Candelabra
Par Ring/Bare Wire
Bi Pin
Custom Options

CCT Lumen Output

2700K: 3237 Lumens
3000K: 3416 Lumens
3500K: 3481 Lumens
4000K: 3563 Lumens
5000K: 3624 Lumens

Fixture Lenses

Tall 11 Degrees
Tall 20 Degrees
Tall 47 Degrees
Short 15 Degree
Short 28 Degree
Short 56 Degrees
Short 74 Degrees
None 120 Degrees

Color Temp

2700K -
3000K - Standard
3500K -
4000K -
5000K -

Order Guide

[] - [] - [] - [] - [] - [] - [] - []

Fixture Type	Base Type	Color Temp	CRI*	Optics	Accessories	Housings	Warranty	
R300 - C	E11 1 3/4" 2 3/4" 4" E26 1" 1 1/2" 2 1/2" E39 - Mogul * BD15A * Specific Height BW - Bare Wire PP - PAR Plug JBox**	2700K 3000K 3500K 4000K 5000K	80, 90, 97 80, 90, 97 80, 90 80, 90, 97 80, 90	*If blank 80 is issued	Tall 11 Tall 20 Tall 47 Short 15 Short 28 Short 56 Short 74 NONE- 120 Degrees	Diffuser E26 Extender 1" E26 Extender 2" Lift Plate (1/2") PAR Ring (56) Custom Plate	Pendant Large Pendant Small Recessed Can PAR56 PAR Can Black or Silver PAR64 PAR Can Black or Silver	10 Year LED Array 3 Year Standard +1 +2 +3 +4 +5 +6 +7

*E39 and BD15A require an E26 base with adaptors used to make this unit compatible with these base types. **JBox includes Bare Wire.

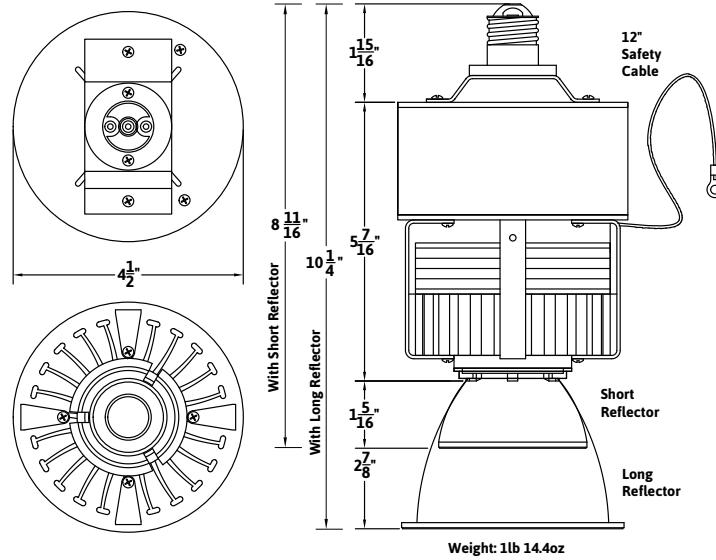
* Chips with a CRI greater than 80 are an additional 6 weeks beyond standard delivery



RETRO-Classic™ 300

300W Incandescent Replacement LED Engine
120V • CSA

Fixture Drawing



Photometrics (R300) 3,000K

Multiplication Factor for Color Temperature

- to convert to 2,700 Kelvin - fc X .9488
- to convert to 3,500 Kelvin - fc X 1.0196
- to convert to 4,000 Kelvin - fc X 1.0439
- to convert to 5,000 Kelvin - fc X 1.0617

To Solve Footcandles
Over A Distance

To Solve Area Over A
Distance

Peak Output
(Distance X Distance)

Distance X Mult.Factor

Mult. Factor 0.4617	15° Diameter	Peak Output 2,203fc	Mult. Factor 0.7279	28° Diameter	Peak Output 4,610fc	Mult. Factor 1.1315	56° Diameter	Peak Output 2,134fc	Mult. Factor 1.4004	74° Diameter	Peak Output 1,134fc
Distance		Foot Candles	Distance		Foot Candles	Distance		Foot Candles	Distance		Foot Candles
8'	2'	360	8'	4'	141	8'	9'	61	8'	11'	41
10'	3'	222	10'	5'	85	10'	11'	37	10'	14'	25
20'	5'	49	20'	10'	18	20'	21'	8	20'	28'	5
30'	8'	21	30'	15'	8	30'	32'	4	30'	42'	2
40'	11'	11	40'	20'	5	40'	42'	1	40'	56'	1
Mult. Factor .1926	11° Diameter	Peak Output 26,920fc	Mult. Factor 0.4069	20° Diameter	Peak Output 19,252fc	Mult. Factor .8489	47° Diameter	Peak Output 5,253fc	Mult. Factor 3.4641	120° Diameter	Peak Output 1,134fc
Distance		Foot Candles	Distance		Foot Candles	Distance		Foot Candles	Distance		Foot Candles
8'	1.5'	405	8'	3'	347	8'	7'	92	8'	28'	24
10'	2'	259	10'	4'	210	10'	9'	57	9'	31'	19
20'	4'	65	20'	7'	44	20'	17'	12	10'	35'	15
30'	6'	29	30'	11'	18	30'	25'	5	12'	42'	10
40'	8'	16	40'	14'	10	40'	34'	3	15'	52'	6
									20'	69'	3

Contact your local representative or dealer for IES files.