



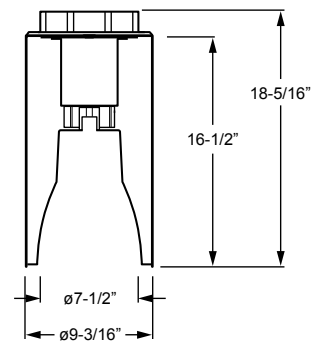
Features

- Engineered with a deep socket reflector to reduce lamp glare while allowing optimal light output with reflector style lamps.
- Durable construction will provide years of worry-free performance even in wet locations (must specify OW option, wall mount only).
- Standard cylinder colors are bronze, black, white, or silver aluminum (must specify when ordering).
- Custom colors are available—consult factory.
- Self-flanged aluminum reflector prevents light leaks and is available in assorted colors.
- Universal mounting hub allows the fixture to be pre-installed without the housing to provide temporary lighting and prevent damage to the housing during finishing.
- Pendant (indoor applications only) or wall mount options available.
- All-aluminum cylinder components dissipate heat for cooler operation.
- This fixture is proudly made in the USA.

Specifications

- Housing – Heavy-gauge aluminum construction.
- Housing Finish – Polyester powder coat bonded to phosphate-free, multi-stage pretreated metal.
- Reflector – Low-iridescent aluminum. Clear semi-specular (CS) finish standard, used with reflector lamp.
- Electrical – Porcelain socket. Prewired at factory for easy field installation.
- Mounting – Surface, pendant (indoor applications only), or wall mount.
- Labels – UL/CUL listed for dry or damp locations. UL/CUL listed as suitable for wet locations when specified with OW option (wall mount only, 120-watt maximum).
- Warranty – 5-year limited warranty

Dimensions



Please refer to the RETRO-Classic™ and RETRO-Passive™ information sheets for photometric data.