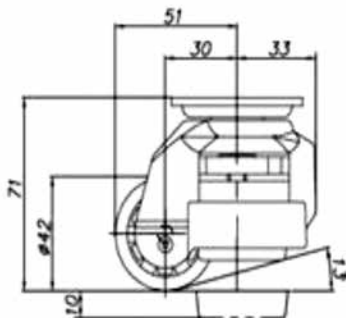
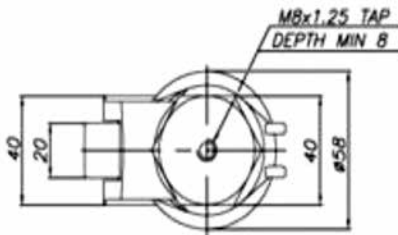
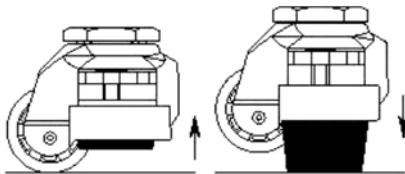


Description

The GD Series of leveling casters are a solution to the age old problem of flexible movement combined with the ability of securely setting and braking a caster in a specific location. The leveling foot, once set in place, provides for stable, anti-vibrational placement. Our leveling casters can easily move up to 220 lbs over four casters.



**Mounting
Hardware
Included**



Specifications

LOAD CAPACITY (PER CASTER):	110 lbs (50 kg)
RECOMMENDED LOAD (4 CASTERS):	220 lbs (100 kg)
TEMPERATURE RANGE:	+14 ~ +194° F (-10 ~ +90° C)
WEIGHT:	0.9 lbs (0.4 kg)
MOUNTING STEM (1):	Forged Steel
FRAME MATERIAL (2):	Aluminum Die Cast
HANDLE (3):	ABS
LEVELING PAD MATERIAL (4):	3 NBR
WHEEL MATERIAL (5):	Nylon-6
SURFACE TREATMENT:	Powder Coated & Zinc Galvanized

Options

LEVELING PAD:	Polyurethane or Anti-static Polyurethane
----------------------	------------------------------------------

Materials

NAMES	BASIC MATERIALS	OPTIONAL MATERIALS
Plate	Forged steel / khaki	-
Frame	Aluminum / Ivory	Aluminum / Black
Handle	ABS / Orange	-
Pad	NBR / Black	NBR / Gray Antistatic NBR / Black Polyurethane / Natural Antistatic Polyurethane / Natural
Wheel	Nylon 6 Powder coat & Zinc Galvanized	