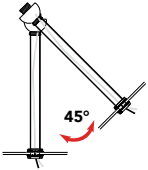
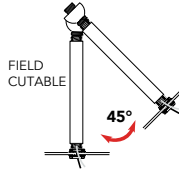
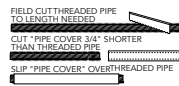
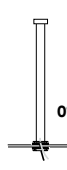
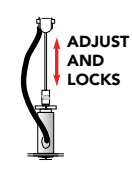
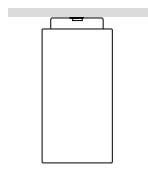
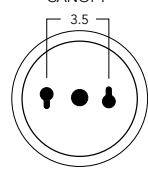


STANDARD MOUNTING & ACCESSORIES

SOME OPTIONS NOT AVAILABLE ON ALL FIXTURES, CONSULT SPECIFICATION SHEETS. SEE INDIVIDUAL SPECIFICATION SHEETS OR CONSULT CANTO USA FOR ADDITIONAL INFORMATION. NOTE: THIS IS TYPICAL OF CYLINDERS SPECIFICATION FOR PENDANT MOUNTING. INDIVIDUAL FIXTURES OR PROJECTS MAY HAVE SPECIALIZED REQUIREMENTS.

MOUNTING TYPES

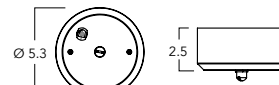
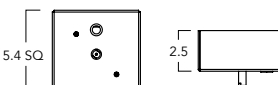
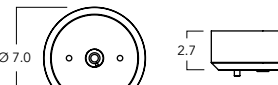
<p>HM* HANG STRAIGHT 45° SWIVEL 1/2" STEM - 3/8" NPT</p>  <p>ORDER: HM (Length) SPECIFY LENGTH: HM3 - 3" HM24 - 24" HM6 - 6" HM36 - 36" HM12 - 12" HM48 - 48" HM18 - 18" HM72 - 72" HMLC(XX) Custom Length (Specify in Inches)</p>	<p>AT** HANG STRAIGHT ALL THREAD 45° SWIVEL 1/2" STEM - 1/4" IP</p> <p>FIELD CUTTABLE</p>  <p>ORDER: AT (Length) SPECIFY LENGTH: AT12 - 12" AT24 - 24" AT36 - 36" ATLC(XX) Custom Length (Specify in Inches)</p> 	<p>PM* RIDGID PENDANT MOUNT RIGID 1/2" STEM - 3/8" NPT</p>  <p>ORDER: PM (Length) SPECIFY LENGTH: PM3 - 3" PM24 - 24" PM6 - 6" PM36 - 36" PM12 - 12" PM48 - 48" PM18 - 18" PM72 - 72" PMLC(XX) Custom Length (Specify in Inches)</p>	<p>CD CORD / CABLE MOUNT SJ CORD WITH 1/16 SS CABLE</p>  <p>ORDER: CD (Length) SPECIFY LENGTH: CD36 - 36" CD72 - 72" CD144 - 144" CDLC(XX) Custom Length (Specify in Inches)</p>	<p>SM SURFACE MOUNT WIRING COMPARTMENT / TOP HAT</p>  <p>ORDER: SM TOP VIEW CANOPY 3.5</p>  <p>KEY SLOTS MOUNT CANOPY TO WALL JUNCTION BOX. JUNCTION BOX IS COVERED.</p>
--	--	--	---	--

*MAXIMUM ONE PIECE STEM LENGTH IS 72" **MAXIMUM ONE PIECE STEM LENGTH IS 36". LONGER LENGTHS ARE POSSIBLE USING MULTIPLE STEMS AND COUPLERS.

MOUNTING FINISH

<p>Standard Canopy / Stem or Cord mounting finish is matte white. Black fixtures receive matte black mounting finish, silver fixture receive silver mounting finish. Custom colors for canopy and stem are available upon request.</p>	MOUNTING FINISH	
	FIXTURE COLOR	CANOPY / STEM / CORD COLOR
	Matte White, Textured White	Matte White
	Matte Black, Textured Black, Bronze, Oil Rubbed Bronze, Graphite	Matte Black
	Platinum, Textured Silver, Silver	Silver
All Others	Matte White	
Custom Color	Canopy / Stem Same Color as Fixture	

DRIVER CANOPY OPTIONS

<p>RDC5 - SMALL DRIVER CANOPY (STANDARD) (USED ON ROUND PENDANT FIXTURES)</p> 	<p>SDC5 - SMALL DRIVER CANOPY (USED ON SQUARE PENDANT FIXTURES)</p> 	<p>CP13 - LARGE DRIVER CANOPY (USED ON ROUND PENDANT FIXTURES WITH SPECIAL OR LARGE DRIVER)</p> 
--	--	--

Please refer to the RETRO-Fusion™, RETRO-Classic™ and RETRO-Passive® information sheets for photometric data.