



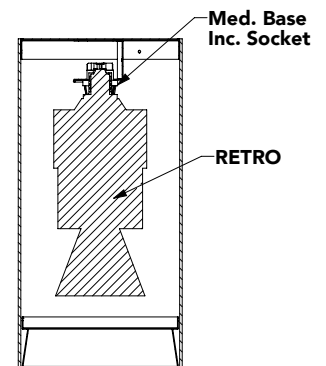
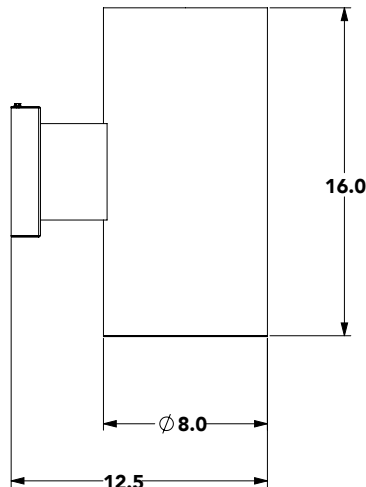
Features

- An attractive, compact cylinder that creates an elegant lighting element when installed in any architecture.
- For surface, pendant (indoor applications only), or wall mounting.
- Specify silver aluminum, white, black, or bronze powder coat finish, or custom colors are available.
- Seamless heavy-gauge spun aluminum cylinder.
- All-aluminum cylinder components dissipate heat for cooler operation.
- This fixture is proudly made in the USA.

Specifications

- Housing - Heavy-gauge spun aluminum.
- Housing Finish - Polyester powder coat bonded to phosphate-free, multi-stage pretreated metal.
- Reflector - Reflector lamp.
- Electrical - Porcelain socket. Prewired at factory for easy field installation.
- Mounting - Surface, pendant (indoor applications only), or wall mount.
- Labels - UL/CUL listed for dry or damp locations.
- Warranty - 5-year limited warranty

Dimensions



Please refer to the RETRO-Fusion™, RETRO-Classic™ and RETRO-Passive® information sheets for photometric data.