

Features

- An attractive, compact cylinder creates an elegant lighting element when installed in any architecture.
- For pendant indoor applications only.
- Minimum 6" drop required
- Standard cylinder colors are black or white powdercoating. Please specify when ordering. Also, custom colors are available.
- Seamless heavy-gauge spun aluminum cylinder.
- This fixture is proudly made in the USA.

Specifications

- Heavy-gauge spun aluminum.
- Powder coat bonded to pretreated metal.
- E26 Porcelain socket. Prewired at factory for easy field installation.
- Stem is minimum 6" and adjustable up to 240" (20')
- Cord is minimum 6" and adjustable up to 240" (20')
- 38° swivel standard
- 5-year limited warranty

Typical Installations

- Auditoriums
- Houses of worship
- Arenas
- Lobbies
- Museums
- Educational facilities
- Convention centers
- Concert halls



Order Guide

You must order the cylinder and mounting hardware separately.

Cylinder Guide

--	--	--	--

Cylinder	Diameter	Cylinder Height	Color
00_CULLAC	6 - for 6"	12 - for 12"	B- Black
	8 - for 8"		W - White
			C - Custom

Example: 00_CULLAC612B is a black 6" x 12" cylinder

* Custom Colors will add lead-time and cost (non-refundable).

Mounting Hardware Guide

--	--	--	--

Hanging Hardware	Cylinder Diameter	Drop Height in Inches	Color
00_CULLAS - for STEM	6 - for use with 6"	EX. 006 = 6"	B- Black
00_CULLAW - for Wire	8 - for use with 8"	EX. 036 = 36"	W - White
		EX. 120 = 120"	C - Custom
			Custom will use Black wire

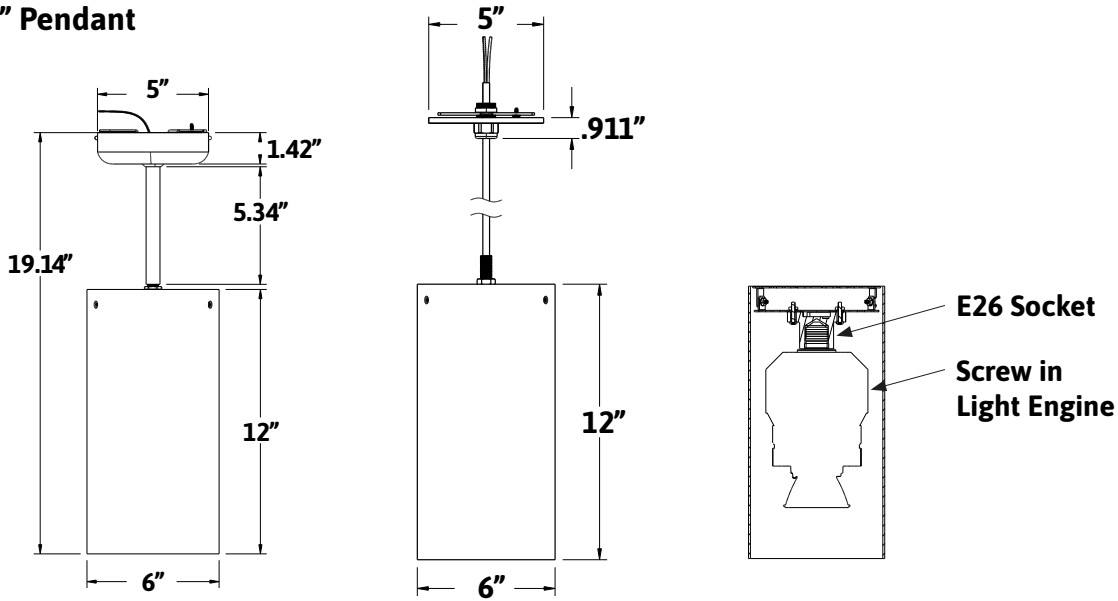
Example: 00_CULLAS6006B is a black stem and canopy with a -6" drop from ceiling to top of cylinder

* Minimum 6" drop required

* Custom Colors will add lead-time and cost (non-refundable). Custom wire drops will use black wire

Dimensions

6" Pendant



Dimensions

8" Pendant

