

RETRO-Fusion™ 2.0 1000

1000W Incandescent Replacement LED Engine
120V • 230V • 240VAC

Energy efficient LED Light Engine

Designed to retrofit directly into existing fixtures.

The RETRO-Fusion 2.0 is a TUV listed, Energy Star 2.0 retrofit kit that rapidly transforms existing inefficient incandescent fixtures into energy efficient LED fixtures. Our patented technology allows the fixture to smoothly dim from 0-100% utilizing existing dimming technology. Retrofit kits are available with a variety of options for both recessed and pendant style fixtures. Installation is as easy as changing a light bulb. Our LED technology creates even fields and delivers consistent color. The RETRO-Fusion 2.0 1000 delivers more light than most 1000 watt incandescent bulbs it replaces with only a 90 watt load.



Fairfax High School, Fairfax, Virginia
105 RETRO 500s at 3000K
Installed by Artistic Concepts Group

What the Fusion 2.0 IS

- More cost effective than fixture replacement
- Large lumen output for this section of the market
- Listed for screw in replacement
- Field swappable bases
- Removable safety cable
- Energy Star certified 2.0
- Dims on existing dimming systems with no additional installation of control system
- 0-100% dimming without flicker, pulse, or stepping
- 80+ High CRI

Electrical Data

- 90 Watts
- Power Factor (PF) .9955
- Lumens: 10133 @ 2700K
- Lumens per watt: 112.3
- LM 70: >50,000 Hours
- CRI@2700K: 81.11,R9+1.8
- 1 lb 15.1 oz w/Reflector (.905 kg)

Applications

- 15 feet to 100 feet high ceilings (5 to 30 meter high ceilings)
- Where dimming is a key concern
- Where there is no desire or budget to replace existing fixtures
- Where access is limited
- Where Energy Star is required
- Where a custom solution is required
- Where the ceiling cannot be disturbed

Typical Installations

- Auditoriums
- Houses of worship
- Arenas
- Lobbies
- Museums
- Educational facilities
- Convention centers

Base Types

- E26 - Edison
- E11 - Mini Candelabra
- E39 - Mogul *
- BA15D *
- Par Ring/Bare Wire
- Bi-Pin
- Custom Options

CCT Lumen Output

- 2700K: 10,133 Lumens
- 3000K: 10,611 Lumens
- 3500K: 10,876 Lumens
- 4000K: 10,961 Lumens
- 5000K: 11,127 Lumens

Fixture Lenses

- Tall 15 Degrees
- Tall 23 Degrees
- Tall 46 Degrees
- Short 26 Degree
- Short 40 Degree
- Short 59 Degrees
- Short 70 Degrees
- None 120 Degrees

Color Temp

- 2700K -
- 3000K - Standard
- 3500K -
- 4000K -
- 5000K -

*E39 and BA15D require an E26 base with adaptors used to make this unit compatible with these base types.

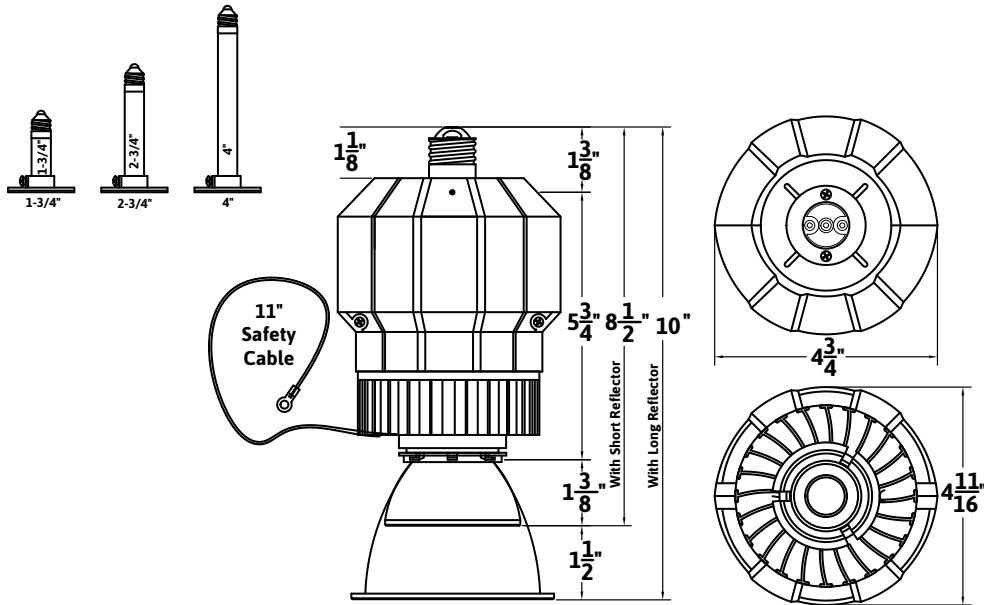
* Chips with a CRI greater than 80 are an additional 6 weeks beyond standard delivery



RETRO-Fusion™ 2.0 1000

1000W Incandescent Replacement LED Engine
120V • 230V • 240VAC

Fixture Drawing



Photometrics (R1000) 3,000K

Weight: 1lbs 15.1oz w/Reflector
.905 kg w/Reflector

Multiplication Factor for Color Temperature

- to convert to 2,700 Kelvin - fc X .9488
- to convert to 3,500 Kelvin - fc X 1.0196
- to convert to 4,000 Kelvin - fc X 1.0439
- to convert to 5,000 Kelvin - fc X 1.0617

To Solve Footcandles
Over A Distance

To Solve Area Over A
Distance

Peak Output ÷ (Distance X Distance)

Distance X Mult.Factor

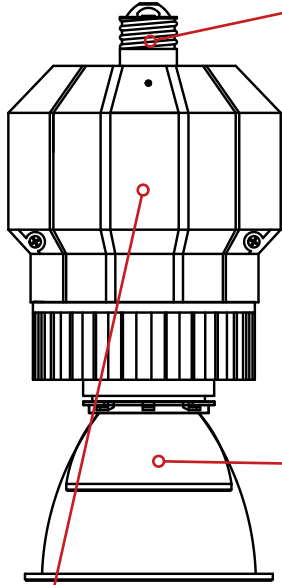
Mult. Factor Distance	26° Diameter	Peak Output Foot Candles	Mult. Factor Distance	40° Diameter	Peak Output Foot Candles	Mult. Factor Distance	59° Diameter	Peak Output Foot Candles	Mult. Factor Distance	70° Diameter	Peak Output Foot Candles
15'	7'	82	15'	20'	49	15'	24'	48	15'	24'	20
20'	9'	47	20'	28'	27	20'	30'	27	20'	32'	12
25'	11' 6"	30	25'	36'	18	25'	39'	17	25'	38'	8
30'	14'	21	30'	42'	13	30'	45'	12	30'	46'	5
35'	16'	17	35'	44'	10	35'	50'	9			
40'	18'	13	40'	48'	8	40'	54'	7			
Mult. Factor Distance	15° Diameter	Peak Output Foot Candles	Mult. Factor Distance	23° Diameter	Peak Output Foot Candles	Mult. Factor Distance	46° Diameter	Peak Output Foot Candles	Mult. Factor Distance	120° Diameter	Peak Output Foot Candles
15'	2'	183	15'	8'	127	15'	15'	43	15'	52'	13
20'	2' 6"	101	20'	10'	68	20'	20'	24	20'	70'	7
25'	3' 6"	65	25'	11' 6"	43	25'	26'	15			
30'	4'	46	30'	16'	30	30'	32'	11			
35'	4' 9"	34	35'	20'	22	35'	38'	9			
40'	15' 5"	27	40'	25'	18	40'	44'	7	25'	87'	4

Contact your local representative or dealer for IES files.



RETRO-Fusion™ 2.0 1000

1000W Incandescent Replacement LED Engine
120V • 230V • 240VAC



TOPS

TOP	TYPE	LENGTH
TOP _	E26	1.35" min, 1.5" + increase in 1/4" increments
TOP _	E11	1.75", 2.75" or 4"
TOP _	BW (Bare Wire)	12" min, increase in 6" increments
TOP _	PP (Par Plug)	10" standard unless specified
TOP _	JB (JBox)	0.00" (Flush mount)

_____ + _ + _____ + _ + _____
TOP TYPE LENGTH

PART NUMBER EXAMPLE: **TOP_E26_4.25** OR **TOP_PP_10**

REFLECTORS

REFLECTOR	DEGREE	REFLECTOR HEIGHT S = SHORT OR T = TALL
REF _	15	T
REF _	23	T
REF _	26	S
REF _	40	S
REF _	46	T
REF _	59	S
REF _	70	S
REF _	WW	S

_____ + _ + _____ + _ + _____
REFLECTOR DEGREE REFLECTOR HEIGHT

PART NUMBER EXAMPLE: **REF_15_T** OR **REF_59_S**

RETRO

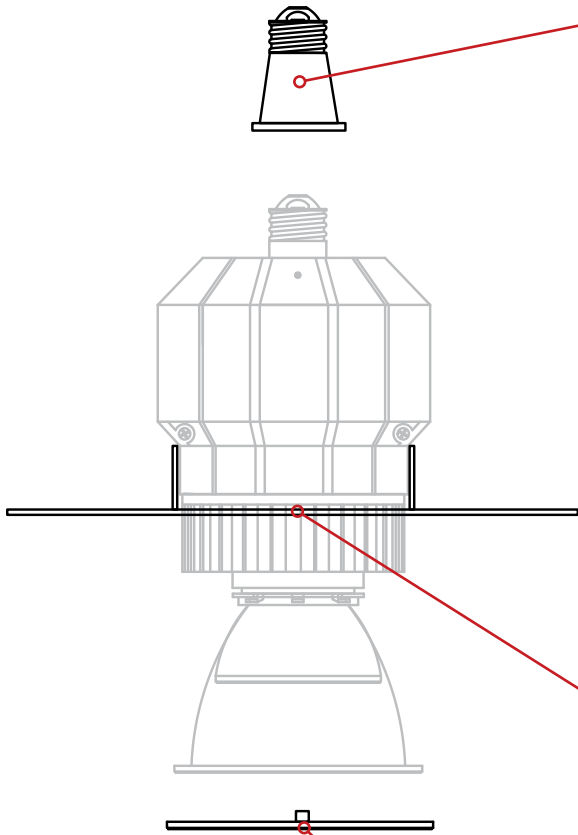
LIGHT	VOLTAGE	DRIVER WATTAGE	SINK SIZE	COLOR TEMP	CRI
F2 _	120	1000	X (Standard)	2.7K	80
_	230	_	_	3.0K	90
_	_	_	_	3.5K	97
_	_	_	_	4.0K	_
_	_	_	_	5.0K	_

_____ + _ + _____ + _ + _____ + _ + _____ + _ + _____ + _ + _____
LIGHT VOLTAGE DRIVER WATTAGE SINK SIZE COLOR TEMP CRI

PART NUMBER EXAMPLE: **F2_110_1000X_2.7K_80** OR **F2_230_1000X_4.0K_90**

RETRO-Fusion™ 2.0 1000

1000W Incandescent Replacement LED Engine
120V • 230V • 240VAC



ADAPTER & EXTENDER OPTIONS

ADAPTER OR EXTENSION	TYPE	DESCRIPTION
ADP	BAYONET	Adapter BA15D Double Bayonet
ADP	MOGUL	Adapter E39 To E26 Mogul
EXT	1.25	Extender 1.25 Inch E26 To E26
EXT	2.5	Extender 2.50 Inch E26 To E26

_____ + _____ + _____
ADP or EXT TYPE

PART NUMBER EXAMPLE: **ADP_BAYONET** OR **EXT_1.25**

PAR RING OPTIONS

RING SIZE	F2 TYPE	FIXED OR ADJUSTABLE	KIT
PAR46	3571	FIXED	KIT
PAR56	3571	ADJUST	KIT
PAR64	3571	ADJUST	KIT
PAR46	150T	FIXED	KIT
PAR56	150T	ADJUST	KIT
PAR64	150T	ADJUST	KIT

_____ + _____ + _____ + _____ + _____ + _____ + _____ + _____ + _____
RING SIZE F2 TYPE FIXED OR ADJUSTABLE KIT

PART NUMBER EXAMPLE: **PAR56_3571_ADJUST_KIT** OR **PAR46_150T_FIXED_KIT**

DIFFUSERS

DIFFUSER	SIZE/TYPE	KIT (IF APPLICABLE)
DIF	SMALL	
DIF	LARGE	
DIF	ZORYA	
DIF	SMALL	KIT
DIF	LARGE	KIT

_____ + _____ + _____ + _____ + _____ + _____ + _____ + _____ + _____
DIFFUSER SIZE/TYPE KIT (IF APPLICABLE)

PART NUMBER EXAMPLE: **DIF_ZORYA** OR **DIF_LARGE_KIT**

