

RETRO-Passive® 2.0 1000

1000W Incandescent Replacement LED Engine
120V • 230V • 240VAC

Energy efficient LED Light Engine

Designed to retrofit directly into existing fixtures.

The RETRO-Passive 2.0 is a TUV listed, Energy Star 2.0 retrofit kit that rapidly transforms existing inefficient incandescent fixtures into energy efficient LED fixtures. Our patented technology allows the fixture to smoothly dim from 0-100% utilizing existing dimming technology. Retrofit kits are available with a variety of options for both recessed and pendant style fixtures. Installation is as easy as changing a light bulb. Our LED technology creates even fields and delivers consistent color. The RETRO-Passive 2.0 1000 delivers more light than most 1000 watt incandescent bulbs it replaces with only a 90 watt load.



Fairfax High School, Fairfax, Virginia
105 RETRO 500s at 3000K
Installed by Artistic Concepts Group

What the Passive 2.0 IS

- More cost effective than fixture replacement
- Large lumen output for this section of the market
- Listed for screw in replacement
- Field swappable bases
- Removable safety cable
- Energy Star certified 2.0
- Dims on existing dimming systems with no additional installation of control system
- 0-100% dimming without flicker, pulse, or stepping
- 80+ High CRI

Electrical Data

- 90 Watts
- Power Factor (PF) .9955
- Lumens: 10133 @ 2700K
- Lumens per watt: 112.3
- LM 70: >50,000 Hours
- CRI@2700K: 81.11,R9+1.8
- 4 lbs 9.7oz w/Reflector (2.09 kg)

Applications

- 15 feet to 100 feet high ceilings (5 to 30 meter high ceilings)
- Where dimming is a key concern
- Where there is no desire or budget to replace existing fixtures
- Where access is limited
- Where Energy Star is required
- Where a custom solution is required
- Where the ceiling cannot be disturbed

Typical Installations

- Auditoriums
- Houses of worship
- Arenas
- Lobbies
- Museums
- Educational facilities
- Convention centers

Base Types

| |
|--------------------|
| E26 - Edison |
| E39 - Mogul * |
| BA15D * |
| Par Ring/Bare Wire |
| Bi-Pin |
| Custom Options |

CCT Lumen Output

| |
|----------------------|
| 2700K: 10,133 Lumens |
| 3000K: 10,611 Lumens |
| 3500K: 10,876 Lumens |
| 4000K: 10,961 Lumens |
| 5000K: 11,127 Lumens |

Fixture Lenses

| |
|------------------|
| Tall 15 Degrees |
| Tall 23 Degrees |
| Tall 46 Degrees |
| Short 26 Degree |
| Short 40 Degree |
| Short 59 Degrees |
| Short 70 Degrees |
| None 120 Degrees |

Color Temp

| |
|------------------|
| 2700K - |
| 3000K - Standard |
| 3500K - |
| 4000K - |
| 5000K - |

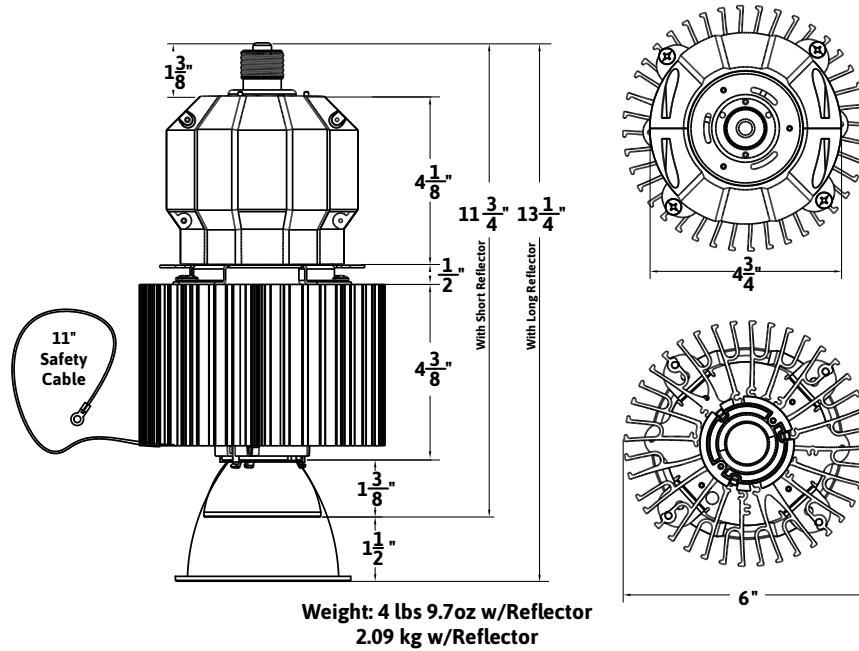
*E39 and BA15D require an E26 base with adaptors used to make this unit compatible with these base types.

* Chips with a CRI greater than 80 are an additional 6 weeks beyond standard delivery

RETRO-Passive® 2.0 1000

1000W Incandescent Replacement LED Engine
120V • 230V • 240VAC

Fixture Drawing



Photometrics (R1000) 3,000K

Multiplication Factor for Color Temperature

- to convert to 2,700 Kelvin - fc X .9488
- to convert to 3,500 Kelvin - fc X 1.0196
- to convert to 4,000 Kelvin - fc X 1.0439
- to convert to 5,000 Kelvin - fc X 1.0617

To Solve Footcandles
Over A Distance

To Solve Area Over A
Distance

Peak Output ÷ (Distance X Distance)

Distance X Mult.Factor

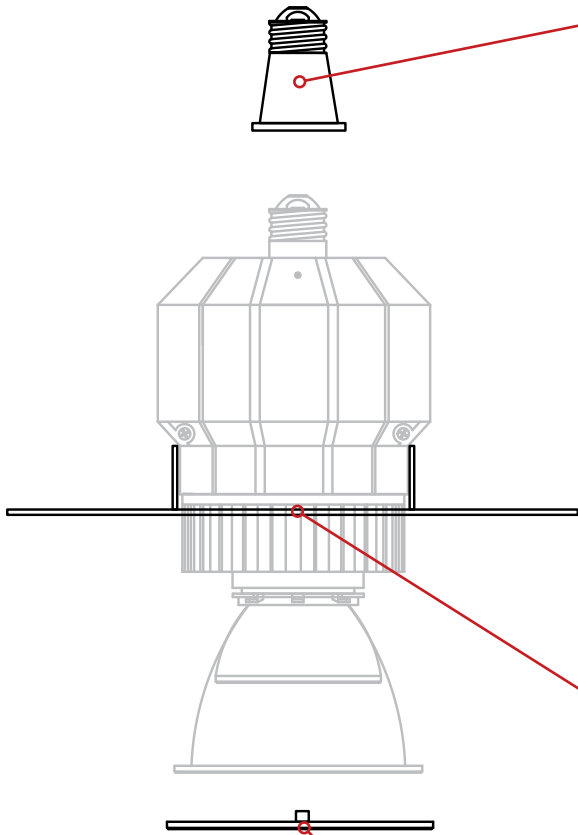
| Mult. Factor Distance | 26° Diameter | Peak Output Foot Candles | Mult. Factor Distance | 40° Diameter | Peak Output Foot Candles | Mult. Factor Distance | 59° Diameter | Peak Output Foot Candles | Mult. Factor Distance | 70° Diameter | Peak Output Foot Candles |
|--------------------------|-----------------|-----------------------------|--------------------------|-----------------|-----------------------------|--------------------------|-----------------|-----------------------------|--------------------------|------------------|-----------------------------|
| 15' | 7' | 82 | 15' | 20' | 49 | 15' | 24' | 48 | 15' | 24' | 20 |
| 20' | 9' | 47 | 20' | 28' | 27 | 20' | 30' | 27 | 20' | 32' | 12 |
| 25' | 11' 6" | 30 | 25' | 36' | 18 | 25' | 39' | 17 | 25' | 38' | 8 |
| 30' | 14' | 21 | 30' | 42' | 13 | 30' | 45' | 12 | 30' | 46' | 5 |
| 35' | 16' | 17 | 35' | 44' | 10 | 35' | 50' | 9 | | | |
| 40' | 18' | 13 | 40' | 48' | 8 | 40' | 54' | 7 | | | |
| Mult. Factor Distance | 15° Diameter | Peak Output Foot Candles | Mult. Factor Distance | 23° Diameter | Peak Output Foot Candles | Mult. Factor Distance | 46° Diameter | Peak Output Foot Candles | Mult. Factor Distance | 120° Diameter | Peak Output Foot Candles |
| 15' | 2' | 183 | 15' | 8' | 127 | 15' | 15' | 43 | 15' | 52' | 13 |
| 20' | 2' 6" | 101 | 20' | 10' | 68 | 20' | 20' | 24 | 20' | 70' | 7 |
| 25' | 3' 6" | 65 | 25' | 11' 6" | 43 | 25' | 26' | 15 | | | |
| 30' | 4' | 46 | 30' | 16' | 30 | 30' | 32' | 11 | | | |
| 35' | 4' 9" | 34 | 35' | 20' | 22 | 35' | 38' | 9 | | | |
| 40' | 15' 5" | 27 | 40' | 25' | 18 | 40' | 44' | 7 | 25' | 87' | 4 |

Contact your local representative or dealer for IES files.



RETRO-Passive® 2.0 1000

1000W Incandescent Replacement LED Engine
120V • 230V • 240VAC



ADAPTER & EXTENDER OPTIONS

| ADAPTER OR EXTENSION | TYPE | DESCRIPTION |
|----------------------|---------|-------------------------------|
| ADP | BAYONET | Adapter BA15D Double Bayonet |
| ADP | MOGUL | Adapter E39 To E26 Mogul |
| EXT | 1.25 | Extender 1.25 Inch E26 To E26 |
| EXT | 2.5 | Extender 2.50 Inch E26 To E26 |

_____ + _____ + _____
ADP or EXT TYPE

PART NUMBER EXAMPLE: **ADP_BAYONET** OR **EXT_1.25**

PAR RING OPTIONS

| RING SIZE | P2 TYPE | FIXED OR ADJUSTABLE | KIT |
|-----------|---------|---------------------|-----|
| PAR46 | 3571 | FIXED | KIT |
| PAR56 | 3571 | ADJUST | KIT |
| PAR64 | 3571 | ADJUST | KIT |
| PAR46 | 150T | FIXED | KIT |
| PAR56 | 150T | ADJUST | KIT |
| PAR64 | 150T | ADJUST | KIT |

_____ + _____ + _____ + _____ + _____ + _____ + _____ + _____ + _____
RING SIZE P2 TYPE FIXED OR ADJUSTABLE KIT

PART NUMBER EXAMPLE: **PAR56_3571_ADJUST_KIT** OR **PAR46_150T_FIXED_KIT**

DIFFUSERS

| DIFFUSER | SIZE/TYPE | KIT (IF APPLICABLE) |
|----------|-----------|---------------------|
| DIF | SMALL | |
| DIF | LARGE | |
| DIF | ZORYA | |
| DIF | SMALL | KIT |
| DIF | LARGE | KIT |

_____ + _____ + _____ + _____ + _____ + _____ + _____ + _____ + _____
DIFFUSER SIZE/TYPE KIT (IF APPLICABLE)

PART NUMBER EXAMPLE: **DIF_ZORYA** OR **DIF_LARGE_KIT**