

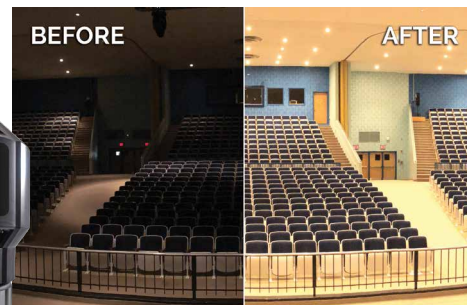
# RETRO-Fusion™ 2.0 700

700W Incandescent Replacement LED Engine  
120V • 230V • 240VAC

## Energy efficient LED Light Engine

Designed to retrofit directly into existing fixtures.

The RETRO-Fusion 2.0 is a TUV listed, Energy Star 2.0 retrofit kit that rapidly transforms existing inefficient incandescent fixtures into energy efficient LED fixtures. Our patented technology allows the fixture to smoothly dim from 0-100% utilizing existing dimming technology. Retrofit kits are available with a variety of options for both recessed and pendant style fixtures. Installation is as easy as changing a light bulb. Our LED technology creates even fields and delivers consistent color. The RETRO-Fusion 2.0 700 delivers more light than most 700 watt incandescent bulbs it replaces with only a 72 watt load.



Fairfax High School, Fairfax, Virginia  
105 RETRO 500s at 3000K  
Installed by Artistic Concepts Group

**10 Year  
LED Array  
Warranty**

### What the Fusion 2.0 IS

- More cost effective than fixture replacement
- Large lumen output for this section of the market
- Listed for screw in replacement
- Field swappable bases
- Removable safety cable
- Energy Star certified 2.0
- Dims on existing dimming systems with no additional installation of control system
- 0-100% dimming without flicker, pulse, or stepping
- 80+ High CRI

### Electrical Data

- 72 Watts (72.3)
- Power Factor (PF) .9955
- Lumens: 8107 @ 2700K
- Lumens per watt: 112.3
- LM 70: >50,000 Hours
- CRI@2700K: 81.11,R9+1.8
- 1 lb 15.1 oz w/Reflector (.905 kg)

### Applications

- 10 feet to 60 feet high ceilings (3 to 18.5 meter high ceilings)
- Where dimming is a key concern
- Where there is no desire or budget to replace existing fixtures
- Where access is limited
- Where Energy Star is required
- Where a custom solution is required
- Where the ceiling cannot be disturbed

### Typical Installations

- Auditoriums
- Houses of worship
- Arenas
- Lobbies
- Museums
- Educational facilities
- Convention centers

### Base Types

E26 - Edison
E11 - Mini Candelabra
E39 - Mogul *
BA15D *
Par Ring/Bare Wire
Bi-Pin
Custom Options

### CCT Lumen Output

2700K: 8107 Lumens
3000K: 8489 Lumens
3500K: 8669 Lumens
4000K: 8769 Lumens
5000K: 8902 Lumens

### Fixture Lenses

Tall 15 Degrees
Tall 23 Degrees
Tall 46 Degrees
Short 26 Degree
Short 40 Degree
Short 59 Degrees
Short 70 Degrees
None 120 Degrees

### Color Temp

2700K -
3000K - Standard
3500K -
4000K -
5000K -

\*E39 and BA15D require an E26 base with adaptors used to make this unit compatible with these base types.

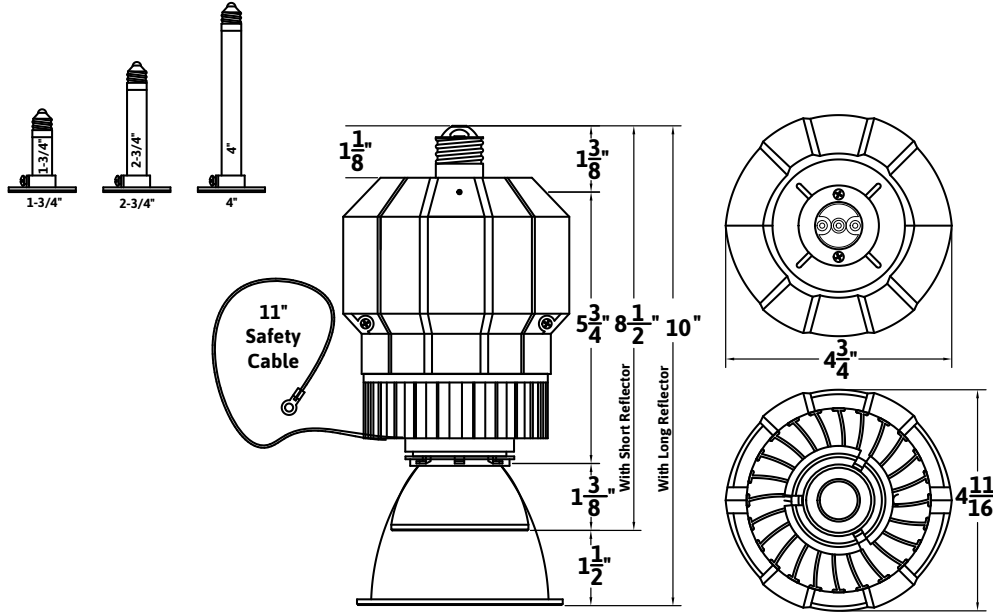
\* Chips with a CRI greater than 80 are an additional 6 weeks beyond standard delivery



# RETRO-Fusion™ 2.0 700

700W Incandescent Replacement LED Engine  
120V • 230V • 240VAC

## Fixture Drawing



**Weight: 1lbs 15.1oz w/Reflector**  
**.905 kg w/Reflector**

## Photometrics (R700) 3,000K

Multiplication Factor for Color Temperature

- to convert to 2,700 Kelvin - fc X .9488
- to convert to 3,500 Kelvin - fc X 1.0196
- to convert to 4,000 Kelvin - fc X 1.0439
- to convert to 5,000 Kelvin - fc X 1.0617

To Solve Footcandles  
Over A Distance

To Solve Area Over A  
Distance

Peak Output ÷ (Distance X Distance)

Distance X Mult.Factor

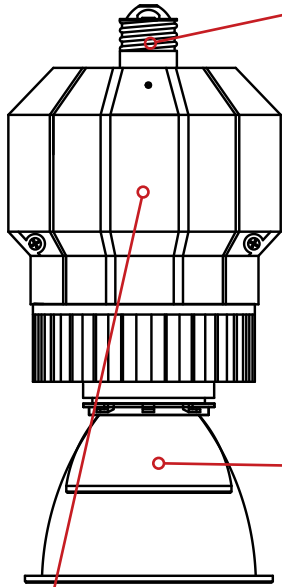
Mult. Factor 0.4617	26° Diameter	Peak Output 20,738fc	Mult. Factor 0.7279	40° Diameter	Peak Output 12,936fc	Mult. Factor 1.1315	59° Diameter	Peak Output 8,341c	Mult. Factor 1.4004	70° Diameter	Peak Output 4,489c
Distance		Foot Candles	Distance		Foot Candles	Distance		Foot Candles	Distance		Foot Candles
8'	4'	331	8'	6'	204	8'	9'	130	8'	11'	73
10'	5'	216	10'	7'	134	10'	11'	85	10'	14'	48
20'	9'	51	20'	15'	32	20'	23'	21	20'	28'	11
30'	14'	22	30'	22'	14	30'	34'	9	30'	42'	5
40'	18'	12	40'	29'	7	40'	45'	5	40'	56'	2
Mult. Factor 0.2633	15° Diameter	Peak Output 37,197fc	Mult. Factor 0.4069	23° Diameter	Peak Output 24,838fc	Mult. Factor .8489	46° Diameter	Peak Output 8,872fc	Mult. Factor 3.4641	120° Diameter	Peak Output 2,962fc
Distance		Foot Candles	Distance		Foot Candles	Distance		Foot Candles	Distance		Foot Candles
8'	2'	600	8'	3'	400	8'	7'	142	8'	28'	46
10'	3'	310	10'	4'	262	10'	8'	100	9'	31'	38
20'	5'	90	20'	8'	61	20'	17'	21	10'	35'	30
30'	8'	39	30'	12'	26	30'	25'	10	12'	42'	21
40'	11'	22	40'	16'	14	40'	34'	5	15'	52'	13
									20'	69'	7

Contact your local representative or dealer for IES files.



# RETRO-Fusion™ 2.0 700

700W Incandescent Replacement LED Engine  
120V • 230V • 240VAC



## TOPS

TOP	TYPE	LENGTH
TOP _ _	E26	1.35" min, 1.5" + increase in 1/4" increments
TOP _ _	E11	1.75", 2.75" or 4"
TOP _ _	BW (Bare Wire)	12" min, increase in 6" increments
TOP _ _	PP (Par Plug)	10" standard unless specified
TOP _ _	JB (JBox)	0.00" (Flush mount)

\_\_\_\_ + \_ + \_\_\_\_\_ + \_ + \_\_\_\_\_  
TOP TYPE LENGTH

PART NUMBER EXAMPLE: **TOP\_E26\_4.25** OR **TOP\_PP\_10**

## REFLECTORS

REFLECTOR	DEGREE	REFLECTOR HEIGHT S = SHORT OR T = TALL
REF _ _	15	T
REF _ _	23	T
REF _ _	26	S
REF _ _	40	S
REF _ _	46	T
REF _ _	59	S
REF _ _	70	S
REF _ _	WW	S

\_\_\_\_ + \_ + \_\_\_\_\_ + \_ + \_\_\_\_\_  
REFLECTOR DEGREE REFLECTOR HEIGHT

PART NUMBER EXAMPLE: **REF\_15\_T** OR **REF\_59\_S**

## RETRO

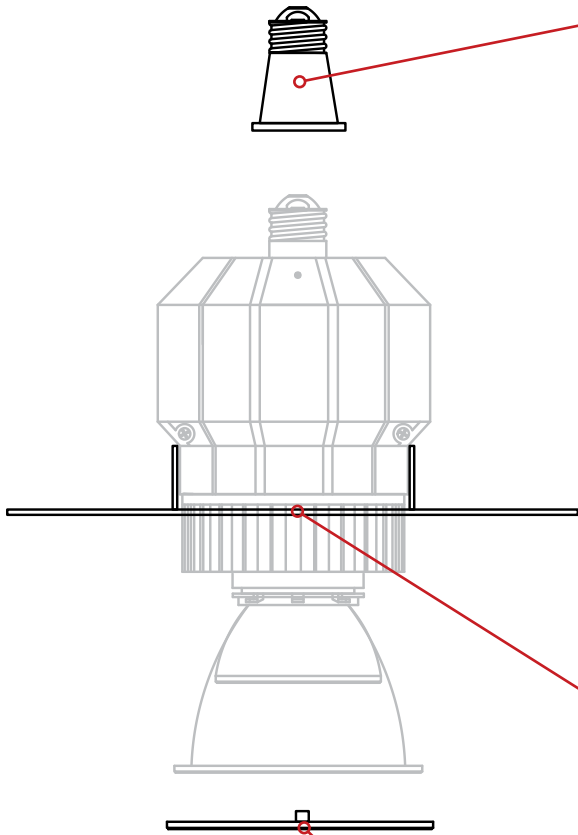
LIGHT	VOLTAGE	DRIVER WATTAGE	SINK SIZE	COLOR TEMP	CRI
F2 _ _	120	700	X (Standard)	2.7K	80
_ _	230	_	_	3.0K	90
_ _	_	_	_	3.5K	97
_ _	_	_	_	4.0K	_
_ _	_	_	_	5.0K	_

\_\_\_\_ + \_ + \_\_\_\_\_ + \_ + \_\_\_\_\_ + \_ + \_\_\_\_\_ + \_ + \_\_\_\_\_ + \_ + \_\_\_\_\_  
LIGHT VOLTAGE DRIVER WATTAGE SINK SIZE COLOR TEMP CRI

PART NUMBER EXAMPLE: **F2\_110\_1000X\_2.7K\_80** OR **F2\_230\_1000X\_4.0K\_90**

# RETRO-Fusion™ 2.0 700

700W Incandescent Replacement LED Engine  
120V • 230V • 240VAC



## ADAPTER & EXTENDER OPTIONS

ADAPTER OR EXTENSION	TYPE	DESCRIPTION
ADP	BAYONET	Adapter BA15D Double Bayonet
ADP	MOGUL	Adapter E39 To E26 Mogul
EXT	1.25	Extender 1.25 Inch E26 To E26
EXT	2.5	Extender 2.50 Inch E26 To E26

\_\_\_\_\_ + \_\_\_\_\_ + \_\_\_\_\_  
ADP or EXT TYPE

PART NUMBER EXAMPLE: **ADP\_BAYONET** OR **EXT\_1.25**

## PAR RING OPTIONS

RING SIZE	F2 TYPE	FIXED OR ADJUSTABLE	KIT
PAR46	3571	FIXED	KIT
PAR56	3571	ADJUST	KIT
PAR64	3571	ADJUST	KIT
PAR46	150T	FIXED	KIT
PAR56	150T	ADJUST	KIT
PAR64	150T	ADJUST	KIT

\_\_\_\_\_ + \_\_\_\_\_ + \_\_\_\_\_ + \_\_\_\_\_ + \_\_\_\_\_ + \_\_\_\_\_ + \_\_\_\_\_ + \_\_\_\_\_ + \_\_\_\_\_ + \_\_\_\_\_  
RING SIZE F2 TYPE FIXED OR ADJUSTABLE KIT

PART NUMBER EXAMPLE: **PAR56\_3571\_ADJUST\_KIT** OR **PAR46\_150T\_FIXED\_KIT**

## DIFFUSERS

DIFFUSER	SIZE/TYPE	KIT (IF APPLICABLE)
DIF	SMALL	
DIF	LARGE	
DIF	ZORYA	
DIF	SMALL	KIT
DIF	LARGE	KIT

\_\_\_\_\_ + \_\_\_\_\_ + \_\_\_\_\_ + \_\_\_\_\_ + \_\_\_\_\_ + \_\_\_\_\_ + \_\_\_\_\_ + \_\_\_\_\_ + \_\_\_\_\_ + \_\_\_\_\_  
DIFFUSER SIZE/TYPE KIT (IF APPLICABLE)

PART NUMBER EXAMPLE: **DIF\_ZORYA** OR **DIF\_LARGE\_KIT**

